

YPbPr to DVI-I Format Converter - **ID# 327**



Operation Manual

Introduction

YPbPr signal to digital DVI signal.

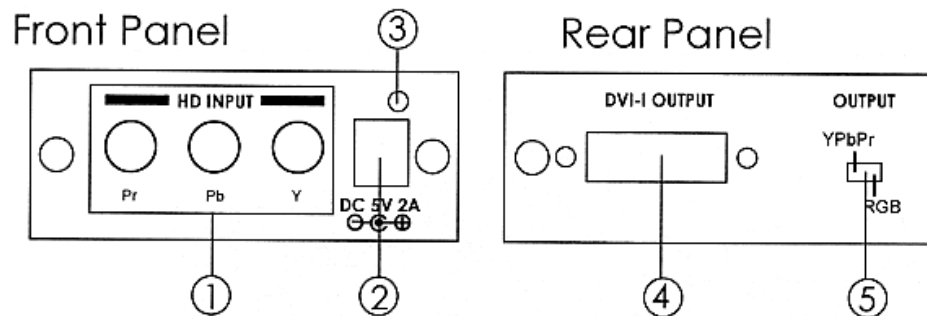
It allows you to connect the YPbPr output from Video equipments to the DVI input of the monitors or projectors.

Its high bandwidth capability supports a wide range of PC and HDTV resolutions.

Features

- It enables you to connect DVD or set top box with YPbPr output to the DVI input of your new monitors or projectors.
- You can select digital output format between RGB and YPbPr.
- Supports up to 1600 x 1200 @ 60 for PC input and 1920 x 1080p @ 60 for HD input.
- Supports DDWG standard for DVI compliant monitors.

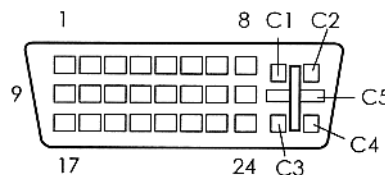
Operating Functions and Controls



1. Analog YPbPr input connector:
Connects to the YPbPr or YCbCr output of your DVD or set top box.
2. DC power supply 5V 500mA-2A center-positive.
3. LED light.
4. DVI-I output connector:
Connects to the DVI input of your TV, Monitor, or Projector.
5. Out Switch: Switch output format between YPbPr and RGB. Set the switch to YPbPr to get digital YPbPr output;
Set the switch to RGB to get digital RGB output.

Pin Configuration

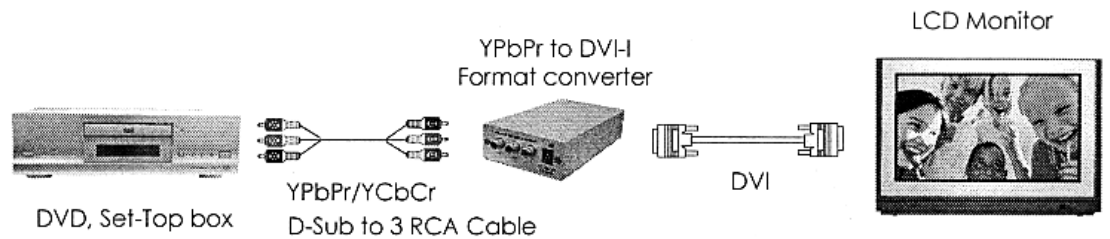
DVI-Integrated(DVI-I): Supports both analog and digital connections to the display. This 29-pin connector can carry single or dual-link all-digital video/data signals on 24 pins and uses 5 pins to carry analog video/data signals and ground.



Combined Analog and Digital Connector Pin Assignments

Pin	Signal Assignment	Pin	Signal Assignment	Pin	Signal Assignment
1	T.M.D.S Data2-	9	T.M.D.S Data 1-	17	T.M.D.S Data0-
2	T.M.D.S. Data2+	10	T.M.D.S. Data1+	18	T.M.D.S. Data0+
3	T.M.D.S. Data2/4 Shield	11	T.M.D.S. Data1/3 Shield	19	T.M.D.S. Data0/5 Shield
4	T.M.D.S. Data4-	12	T.M.D.S. Data3-	20	T.M.D.S. Data5-
5	T.M.D.S. Data4+	13	T.M.D.S. Data3+	21	T.M.D.S. Data5+
6	DDC Clock	14	+5V Power	22	T.M.D.S. Clock Shield
7	DDC Data	15	Ground (Return for +5V, Hsync, and Vsync)	23	T.M.D.S. Clock+
8	Analog Vertical Sync	16	Hot Plug Detect	24	T.M.D.S. Clock-
C1	Analog Red	C2	Analog Green	C3	Analog Blue
C4	Analog Horizontal Sync	C5	Analog Ground/Analog R,G,1.3 return		

Connection and Installation



Specifications

Input: Analog YPbPr on 3 RCA connectors
Input signal: Y : 1 Vp-p 75 ohm,
Pb/Pr: 0.7 Vp-p, 75 ohm
Output: DVI-I connector
Output signal: Digital RGB or YPbPr data bitstream
Compliant with DVI Rev 1.0
Operation frequency: up to 165MHz
Input/ Output resolution: PC : VGA@60 s VGA@72 • VGA@75 VGA@85
SVGA@60 s SVGA@72 s SVGA@75 s SVGA@85
XGA@60 • XGA@70 • XGA@75 XGA@85
SXGA@60 s SXGA@75 s SXGA@85 s UXGA@60
1152@70 • 1152@75 • 1152@85
HD/RGB 480i@60 s 576i@50 s 480p@60 • 576p@50 s
720p@60
720p@50 1080i@60 • 1080i@50 s 1080p@60
1080p@50 • 1080p@30 s 1080p@25 1080p@24
Dimension (WxHxD) : 76 * 30 * 105mm
Power: 5V 500mA-2A Center-positive