

Wireless PC to TV

- ID# 762



Operation Manual

Introduction

The WiFi Smart Player to TV can send video/audio signals from a smart phone, PC or Notebook through Wi-Fi to a TV and use it as the primary display. The SmartPlayer is designed as a DLNA DMR (Digital Media Renderer) which means users can easily send audio, video and pictures from a computer wirelessly to TV. This device can also act as a Wi-Fi Access Point for users to access a wired Internet connection with their laptops or smart phones. Displaying audio, video and pictures through network streaming the WiFi Smart Player is a simple yet incredibly useful device for sharing content through network streaming.

Applications

- Wireless PC/NB to TV
- Wireless Smart phone to TV
- Wire PC/NB to TV
- Wi-Fi Access Point

System Requirements

In order to run the application smoothly, please refer to the following hardware recommendation.

Desktop/Workstation PC:

- CPU: Intel Core 2 Duo 2.0G or better
- Chipset: Intel 965 series chipset or better
- Memory: DDR2-800, 2GB or better
- Graphic Card: NVIDIA GeForce 8400GS / ATI Radeon X300 or better
- Network: 802.11 g/n Wi-Fi and/or 100/1000 Mbps Ethernet

Notebook/Laptop PC:

- CPU: Intel Core 2 Duo 2.0G or better
- Chipset: Intel 965 series chipset or better
- Memory: DDR2-800, 2GB or better
- Graphic: Chipset integrated (Intel X3100 Graphic) or better or NVIDIA GeForce Go 8200M / ATI Radeon Mobility X300 standalone graphic chip or better
- Network: 802.11 g/n Wi-Fi and/or 100/1000 Mbps Ethernet

Supported OS:

- Windows 7, x86 and x64
- Windows Vista (Service Pack 1 or later), x 86 and x 64
- Windows XP (Service Pack 3 or later)

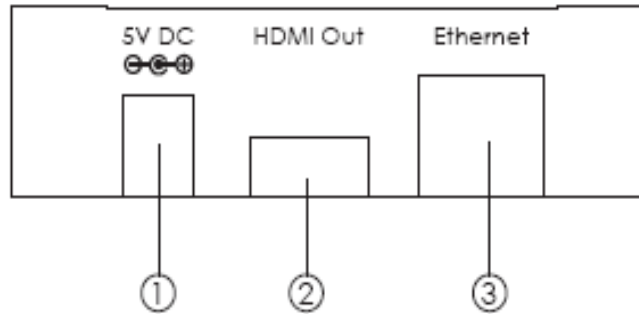
Features

- Support PC to TV and Smart Phone to TV
- Can be a Wi-Fi AP
- WiFi Smart Player is a device that designed as a DLNA DMR (Digital MediaRenderer) device.
- Display various picture, audio, and video contents through network streaming.
- USB port for Mouse / Keyboard.
- USB flash disk for firmware upgrade.



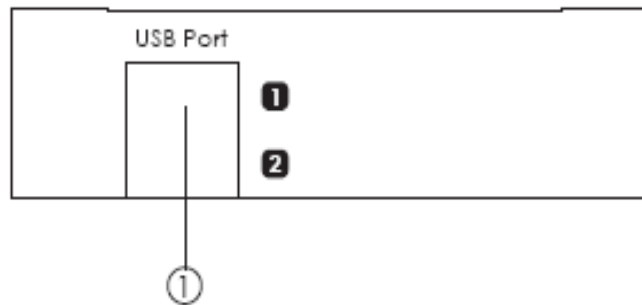
Operation Controls and Functions

Front Panel



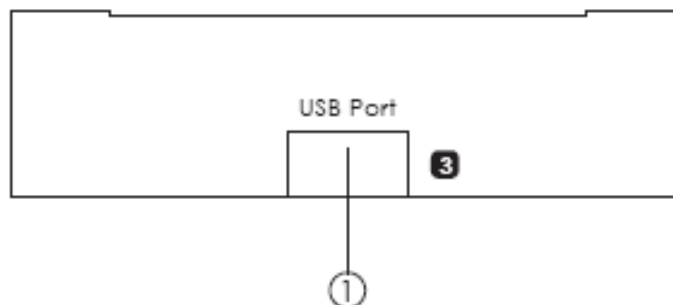
- ① **DC 5V:** Plug the 5V DC power supply into the unit and connect the adaptor to AC wall outlet.
- ② **HDMI out:** Connect the output port to the HDMI TV/display.
- ③ **Ethernet IN:** This slot is to connect with CAT5e/6 cable from your network system or PC/Laptop for a wire connection of input signal sending.

Rear Panel



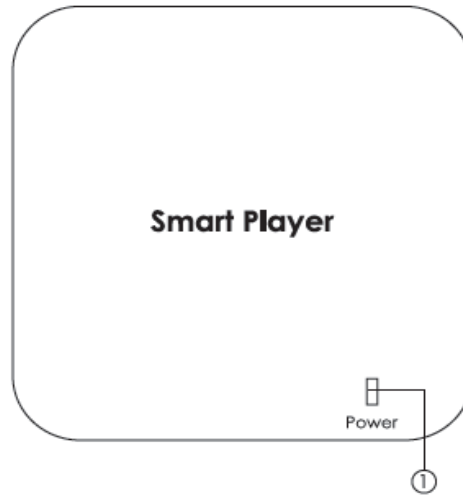
- ① **USB Port 1 & 2:** These slots are to connect with Wi-Fi module and USB devices such as Keyboard and Mouse.

Left Panel



- ① **USB Port 3:** This slot is to connect with Wi-Fi module and USB devices such as keyboard and mouse for control.

Top Panel



① **Power LED:** This blue LED will illuminate when the device is connected with power supply.

USB Dongle



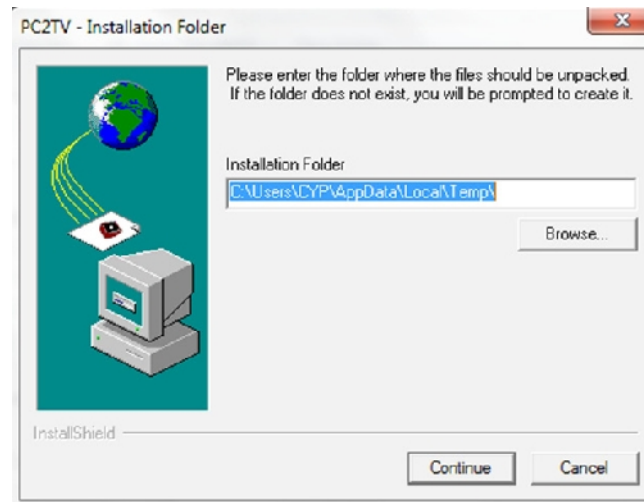
① **USB Dongle:** Plug this Wi-Fi dongle into the Smart Player's USB port for signal transmission

Software installation and un-installation

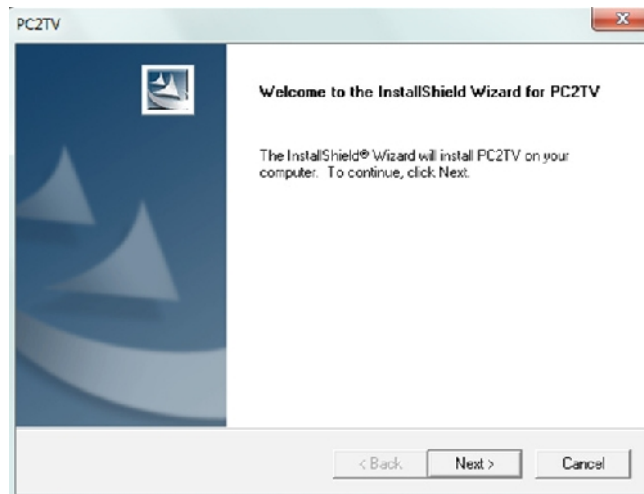
The following sections describe the procedures for installing the PC2TV device's drivers. Insert the provided CD driver into the input source's CD-ROM driver then begin the installation.

Software Installation

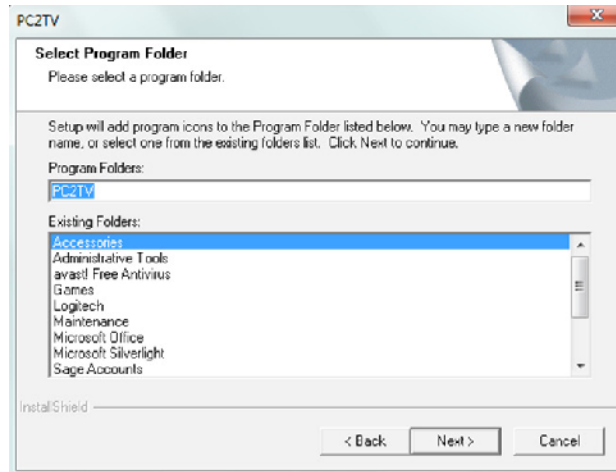
- Insert the CD driver included in the package and double click on the **PC2TV.exe** executable file to start the setup process.
- Browse the folder where the files should be unpacked and click "Continue" to start Installation.



- InstallShield Wizard will install PC2TV on your input source device and click "Next" to continue.



- Add program icons to the program folder. You may type a new folder name or select one from the existing folders list and click "Next" to continue.



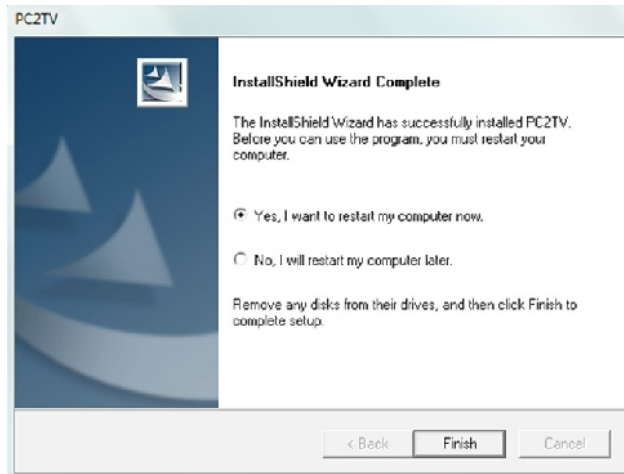
- Press "Analysis" to evaluate your computer system.



- The Benchmark Information will show whether or not your computer system is matching with the product requirement.



- After the setup is complete click on Finish and restart your source device.

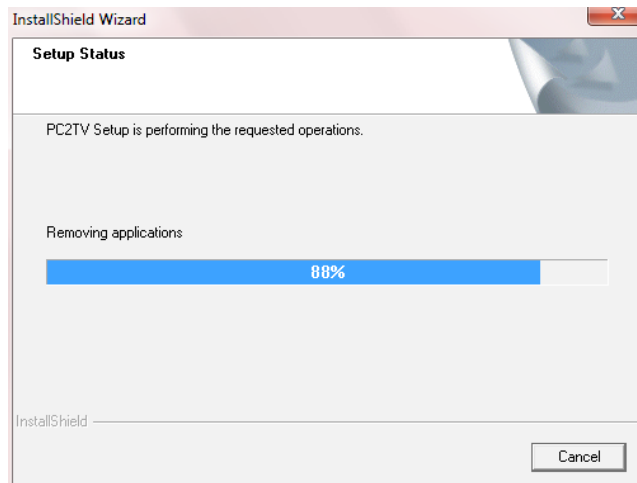


Uninstall the Computer Software

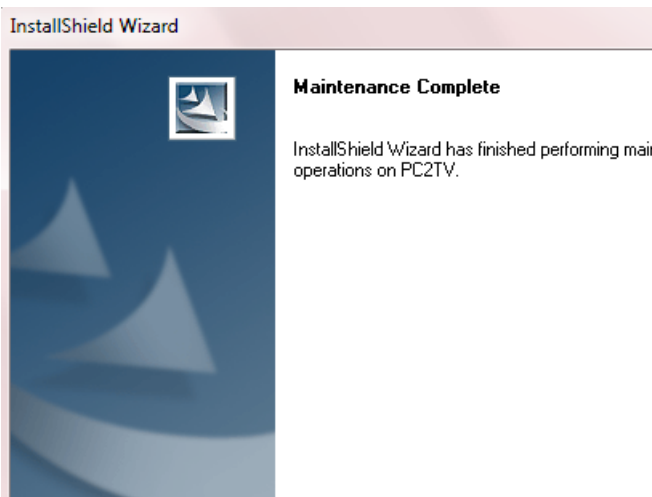
Follow the steps below to uninstall the PC2TV Software

Step 1: Open the Control Panel: Start a Control Panel a Uninstall a program.

Step 2: Select PC2TV execute file and click to remove.



Step 3: Click on Finish to complete the un-install process.




Configuring your application to use the Receiver

Configure your PC or Smart Phone with Ethernet connection, or becoming the Internet access point. Keep in mind, however, that the number, thickness and location of walls, ceilings or other objects that the wireless signals must pass through, may limit the range. Typical ranges vary depending on the types of materials and background RF(radio frequency) noise in your usage area.

Computer Easy Connection

Step 1: Go to Start > Settings > Control Panel. Double-click the System and Network and Internet Options Icon. From the Options Icon, click the button to connect to the Internet and select Wireless Option to use a wireless network and then choose "PC2TV_PRO_AccessPoint" to connect to the Internet.

Step 2: Click the PC2TV icon " " on the windows desktop, to run the utility.

Step 3: Click "Play" to establish computer contents to display.



Step 4: Click "Stop" to disconnect the connection.



Smart Phone Easy Connection

To begin with the Smart Phone connection, the user need to make sure if the Smart Phone support DLNA (Digital Living Network Alliance) function. If the Smart Phone is not supporting DLNA, users can download the DLNA software like "SKIFTA" or "Twonky media" from Android market or APP store.

Configure your Internet settings form the Smart Phone devices:

- From the Home screen, sweep your finger downward to display the Notification Panel.
- Touch Wi-Fi to turn Wi-Fi ON.
- When your phone completes a scan, touch a Wi-Fi network to connect "CWF-901SP".

- Select the PC2TV(DMR) for display system
- For non-DLNA Smart Phone, users may download and execute softwares like "Twonky" and "Skiffa".
- For Samsung DLNA Smart Phone, please execute "AllShare" software.
- For HTC DLNA Smart Phone, Please execute "Connected Media".

Note: The Smart Phone's DLNA installation may be vary with different brand and therefore, the instruction above are for reference only. For other DLNA Smart Phone not lists in this user manual, please refer to DLNA Smart Phone user manual or contact your Smart Phone customer help line to start with.

Access Point Application

Before you begin, connect an active Ethernet cable to the Ethernet port of the device. Then you can connect multiple computers or Wi-Fi devices through the CWF-901SF. If your Wi-Fi devices running speed are become slowly, please disconnect some of the links and Wi-Fi devices to release more bandwidth.

Configure your Internet settings from the Computer devices:

- Click on the network connection on the bottom right hand corner and select CWF-901SP or
- Go to Start > Settings > Control Panel. Double-click the System and Network and Internet Options Icon. From the Options Icon, click the button to connect to the Internet and select Wireless Option to use a wireless network and then choose "CWF-901SP" to connect to the Internet.

Connection



Specifications

Host Interface	1 x 802.11n Wi-Fi and 100/1000Mbps Ethernet
Output port	1 x HDMI
Extender Port	3 x USB (Keyboard and Mouse only)
Video Supports	(DLNA DMR) WMV, AVI, MPEG-1/2/4, 3GP & MOV with 2CH with bit-rate under 15Mbps
Audio Supports (DLNA DMR) LPCM, MPEG-1, WMA, WAV, MPEG-4, AAC, OGG, 3GP & MP3 with 2CH
Resolution Supports	DLNA DMR: Up to 1920 x 1080 PC to TV: Up to 1280 x 720 or Up to 1920 x 1080 with Sandy Bridge
Bridge ESD Protection	Human body model: ± 8kV (air-gap discharge) ± 4kV (contact discharge)
Power Supply	5V/2.6A DC (US/EU standards, CE/FCC/UL certified)
Dimensions (mm)	100(W) x 70(D) x 20(H)/SP, 56(W) x 20(D) x 9(H)
Weight(g)	100/SP, 8
Chassis Material	Plastic
Silkscreen Color	White
Operating Temperature	0°C ~ 40°C/32°F ~ 104°F
Storage Temperature	-20°C ~ 60°C/-4°F ~ 140°F
Relative Humidity	20~90%RH (non-condensing)
Power Consumption	5.5W