

PC/HD with Audio to HDMI Format Converter ID# 730



Operation Manual

Introduction

The PC/HD to HDMI format converter converts analog PC RGBHV/YPbPr and audio signal to digital HDMI format.

It allows you to connect the analog HD-15 RGBHV/YPbPr output from PC or Video equipments to the digital HDMI input of the latest HD ready plasma, LCD or DLP TV.

Its high bandwidth capability supports a wide range of PC and HDTV resolutions.

Features

* It enables you to connect computers with analog PC output or DVDs with YPbPr output to HDMI input of HD ready plasma, LCD or DLP TV.

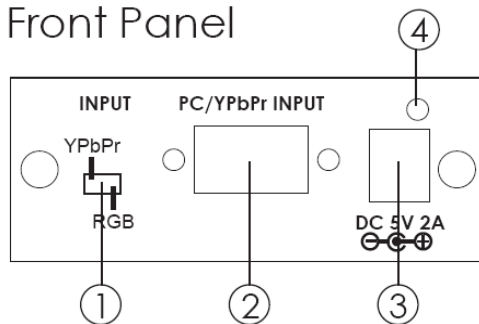
* You can select input format as PC/RGBHV or HD/YPbPr.

* HDMI is compliant with HDMI 1.2

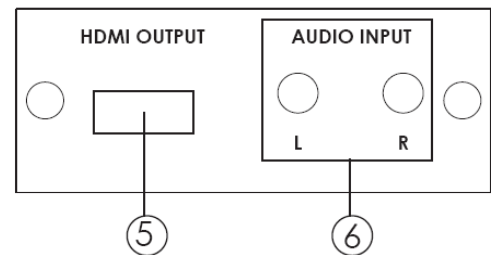
* Supports up to 1600 x 1200 @ 60 for PC input and 1920 x 1080p @ 60 for HD input.

Operating Functions and Controls

Front Panel



Rear Panel



1. Input format switch:

- Set the switch to YPbPr when the output format of your source equipment is component YPbPr. Use VGA to 3 RCA adaptor cable to connect between your source equipment and the CP-261HS.

- Set the switch to RGB when the output format of your source equipment is RGBHV. Use HD-15 D-Sub VGA cable to connect between your source equipment and the CP-261HS.

2. HD-15 D-Sub input: Connects to PC or YPbPr output connector of your PC or YPbPr

source equipment using VGA cable, or D-Sub to 3 RCA adaptor cable.

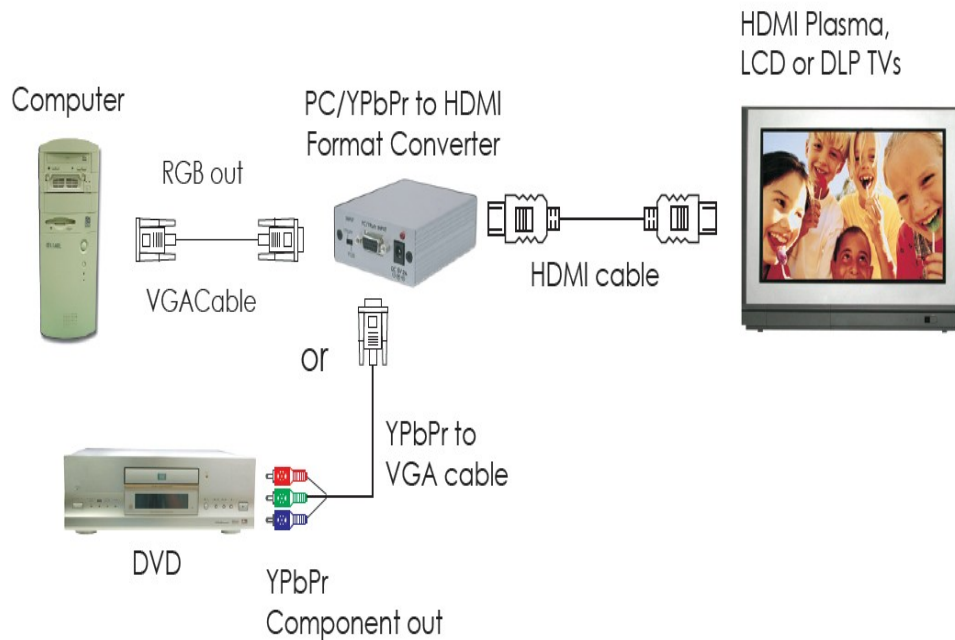
3. DC 5V power input jack.

4. Power LED light.

5. HDMI output connector: Connect to the HDMI input of your display TV using HDMI cable.

6. Stereo audio input : Connect to the output of your audio source equipment.

Connection



Specifications

- * **Video Input:** HD-15 (RGBHV/YPbPr)
- * **Input signal:**
 - RGB:** 0.7 Vp-p 75 ohm
 - H + V:** 3 to 5 Vp-p
 - or Y :** 1 Vp-p 75 ohm,
 - Pb/Pr:** 0.7 Vp-p, 75 ohm
- * **Audio Input:** Analog audio L,R
- * **HDMI is compliant with HDMI 1.2**
- * **Operation frequency:** up to 165MHz
- * **Input/Output resolution:**
 - PC :** VGA@60, VGA@72, VGA@75, VGA@85
 - SVGA@60, SVGA@72, SVGA@75, SVGA@85
 - XGA@60, XGA@70, XGA@75, XGA@85
 - SXGA@60, SXGA@75, SXGA@85, UXGA@60
 - 1152@70, 1152@75, 1152@85, XGAi@87
 - HD :** 480i@60, 576i@50, 480p@60, 576p@50, 720p@60,
 - 720p@50, 1080i@60, 1080i@50, 1080p@60,
 - 1080p@50, 1080p@30, 1080p@25, 1080p@24
- * **Using switch to select input format between HD/YPbPr and PC/RGBHV**
- * **Dimension (WxHxD) :** 76 * 30 * 105mm
- * **Power :** 5V 2A Center-positive