

**PC HD Component Distributor**  
**1 input : 3 output**  
**(w/ Stereo Audio) ID# 648**



**Operation Manual**

## Introduction

PC HD Component Distributor 1 input : 3 output (w/ Stereo Audio) is designed to accept one PC or High Definition Component (Y/Pb/Pr) input signal source for distribution to three PC monitors or HDTV displays. PC input up to UXGA resolution and High Definition input up to 1080p are supported with output signal equaling input signal. A single Stereo Audio input is also split to the three corresponding video outputs for connection to the PC monitor/HDTV speakers or home stereo system. Ideally suited for Advertising, Academic and Home Theatre installations.

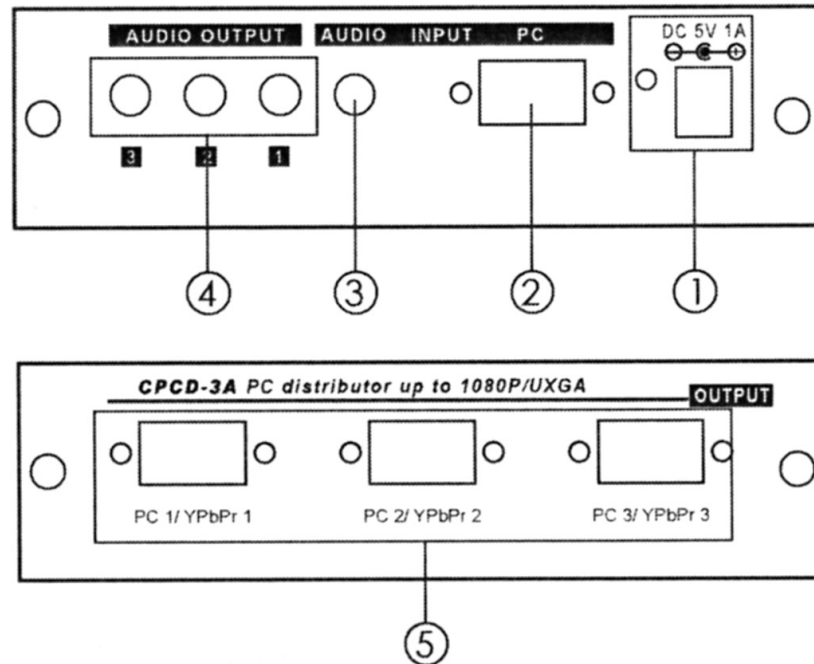
Extend your PC or HD Component Y/Pb/Pr source equipment to three separate and independent displays located anywhere you require them. Whether in the same room or spread into different areas, each output is identical in signal level and strength. Plug and Play use for Advertising and Academic presentations and displays, or for distributing video and audio to different rooms in your home. Combined with Stereo Audio distribution for each of the three outputs, PC HD Component Distributor 1 input : 3 output (w/ Stereo Audio) will make for a professional installation in any application.

The PC HD Component Distributor 1 input : 3 output (w/ Stereo Audio) is compact in size, simple to instal and very easy to use. Connect your PC or HD Component video and audio source to the input, then connect your three displays and audio speakers to the three separate outputs. Turn on the power and walk away. No PC software required, no buttons to push, no settings to be made. Plug and Play. Ideal for Advertisers, Teachers and Lecturers, Home Entertainment Installers.

## Features

- Supports either PC (RGB) or HDTV (YPbPr) input signal.
- Accepts one PC or HD component input and split it into 3 buffered and identical outputs.
- Supports stereo audio input and split it to 3 identical outputs via 3.5mm mini-stereo connector.
- High video signal bandwidth (480MHz/-3dB) supports PC/HDTV resolution up to UXGA/1080p.
- Ideal for presentation and home theater application.
- Plug and play, easy to install.

## Operation Controls and Functions



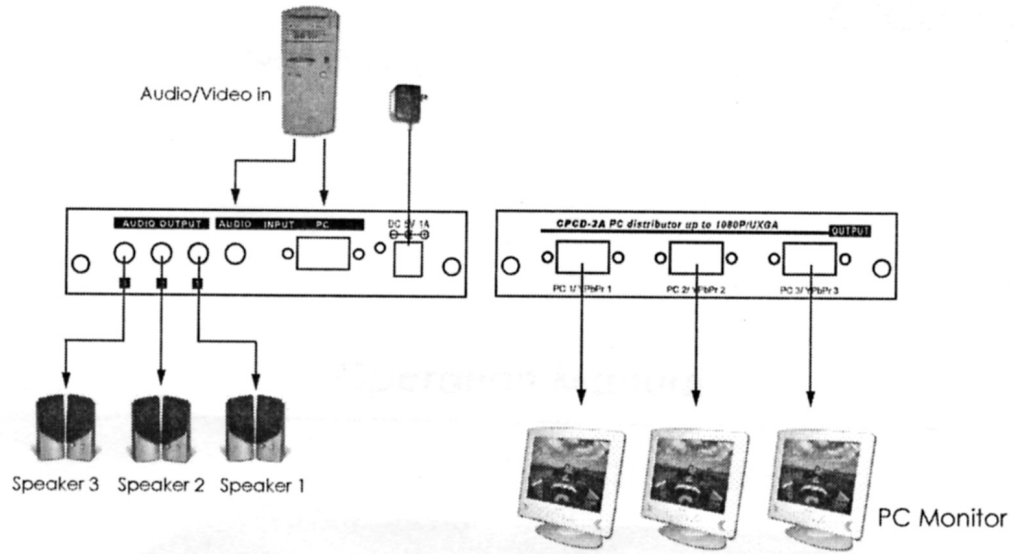
- 1. Power Input:** Plug the supplied 5VDC power supply into the unit and the LED will illuminate when it is connected.
- 2. Video input:** Connect to the video output of your source devices such as PC or DVD player by using the HD-15 to HD-15 cable or HD-15 to 3 RCA cable.
- 3. Audio input:** Connect to the audio output of your source devices such as PC or DVD player by using the 3.5mm phone jack audio cable or 3.5mm phone jack to 2 RCA audio cable.
- 4. Audio outputs:** Connect the audio cables from these ports to the audio input of the speaker systems.
- 5. Video outputs:** Connect each of the PC/HD output to the input of the PC or HD display.

## Specification

<b>PC Input:</b>	x 1 RGB 0.7Vp-p 75 ohm HV 5Vp-p 10K ohm
<b>PC Output</b>	x 3 : RGB 0.7Vp-p HV 5Vp-p 10K ohm; or Y : 1 Vp-p, PbPr: 0.7Vp-p 75 ohm
<b>Audio Input</b>	x 1 : 2Vrms max 47K ohm
<b>Audio Output</b>	x 3 : 2Vrms max 47K ohm
<b>Video Bandwidth :</b>	480MHz (-3db)
<b>Compatibility:</b>	VGA upto UXGA/1080p in RGBHV, RGBs, RGsB, YPbPr formats.
<b>Differential gain :</b>	0.05%
<b>Differential phase :</b>	0.05 degree
<b>Power :</b>	5V 2A
<b>Accessories:</b>	5V power supply, HD-15 to HD-15 video cable, Stereo audio cable.
<b>Dimension (WxHxD):</b>	141 x 38 x 105mm

# Connection and Installation

## PC Connection



## HD Connection

