

PAL/NTSC Video to PAL/NTSC Video Digital Converter ID#421



Operation Manual

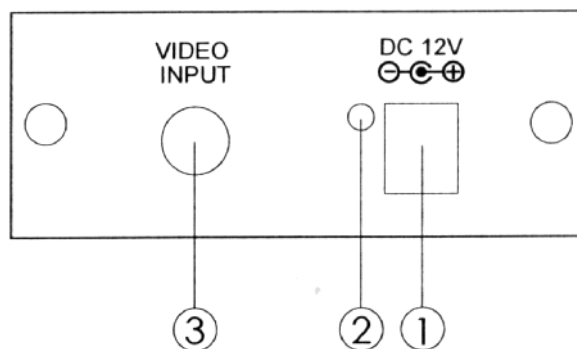
Introduction

A Multisystem converter that allows signal conversion from any PAL or NTSC source to any NTSC or PAL display. Adaptable to many applications whether in the home, in the car or on a boat.

Features

1. Built-in color bar.
2. Input auto detecting.
3. Digital conversion from input TV signals of NTSC, N4, PAL, PAL M, PAL N, SECAM to output signals of NTSC, PAL.
4. Digital line (525 <- > 625 Lines) and field (60 <- > 50 field) conversion.
5. 6M bit field memory.
6. Built-in 12V DC to DC inverter, ideal for use in car application.

Operating Functions and Controls Front Panel

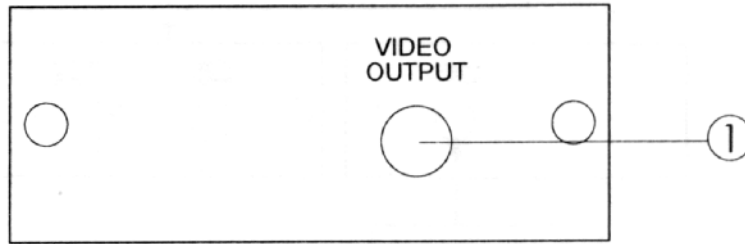


12 Volt DC power input: Connects to car battery output.
1. Power LED.

2. Composite video input connector:

Video input can be NTSC, NTSC 4, PAL, PAL M, PAL N, and SECAM. It will be automatically recognized by the unit and convert to either NTSC or PAL output depending on the jumper setting on the PCB.

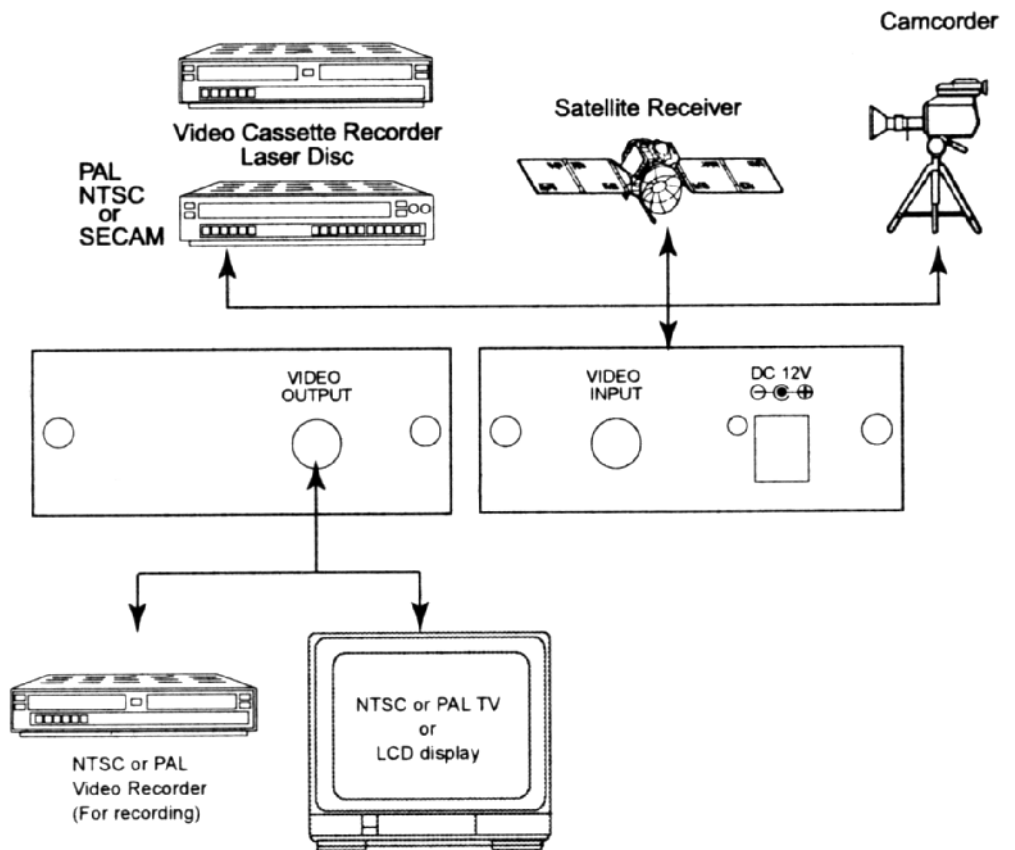
Rear Panel



1. Video output RCA connector:

Connects to your TV, or LCD display unit.

Installation and Connection



Specifications

Input Systems	NTSC, N4, PAL, PAL M, PAL N, SECAM
Output TV Systems	NTSC 3.58, or PAL (through jumper setting on PCB)
Connection Terminals	Video input: 1 Video output: 1
Sampling Frequency	Y: 13.5 MHz R-Y: 6.75 MHz B-Y: 6.75 MHz
Digital code bit	R : 8 bits G: 8 bits B : 8 bits
Line	525 ⇄ 625
Field	60 ⇄ 50
Power	DC 12V 500mA
Dimension	164(W) x 77(D) x 30(H) mm
Weight	290gs
Accessory	One set of video cable, AC adaptor