

PAL NTSC Video to HDMI v1.3 HD Scaler Box - ID# 763



Operation Manual

Introduction

This scaler Box is designed to display your composite video/S-video images on the HDTV with better viewing resolutions. It can upscale any composite video/s-video's input sources to HDMI output with wide-range resolutions. Further, this device also can transfer sounds for user to enjoy both HD images and sounds consistently.

Application

- Convert video to HDMI 1.3 at 1080P for HDMI LCD TV / LCD monitor
- Upscale iPod low resolution to HDMI 1080P
- To improve video quality to HDMI resolution

System Requirements

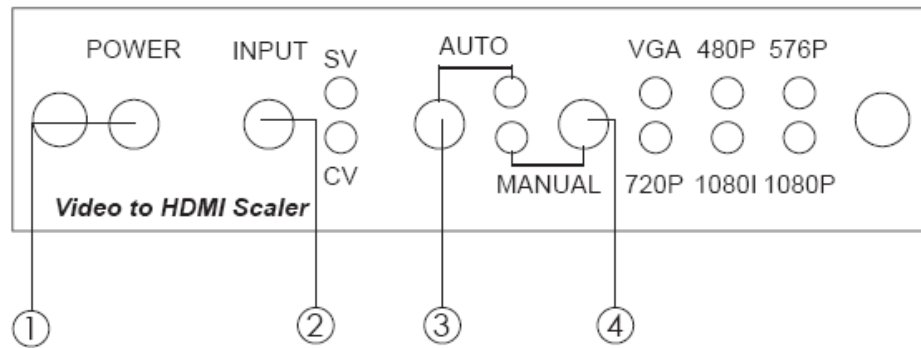
Input source device, S-Video or CVBS/Video cable with R/L, HDMI cable and output displayer.

Features

- HDMI 1.3 support deep color 12 bit, HDCP 1.1, DVI 1.0 compliance
- Scales up Video or S-Video to HDTV 1080p format
- Automatic lip sync (audio delay) ensures audio video synchronization
- Input video systems NTSC/PAL
- Support 8/10/12 bit deep color on HDMI output up to 6M long
- DVI compatible by using HDMI to DVI adapter
- HQE (High Quality Image enhancer) function
- Digital Noise Reduction – Minimizes picture noise, reproducing images true to the original
- Block Noise Reduction – Effectively minimizes all MPEG noise, Improving the digital quality of HDTV broadcasts in particular, where block noise happens most
- MPEG Noise Reduction – Reduce mosquito noise for MPEG video images without losing detail
- Motion adaptive 3D Y/C separation comb filter
- 3D (frame based) motion adaptive noise reduction
- Advanced 3D motion adaptive de-interlace
- Automatic 2:2/3:2 film mode detection
- Video / S-Video input selection button
- Automatic resolution selection and individual resolution selection button
- HDMI output with RGB color space design

Operation Controls and Functions

Front Panel



① **POWER selection button** - Press the button once to power on the unit, press again to power off. This device has last memory's function and will record your last input selection. The factory default is on CV input.

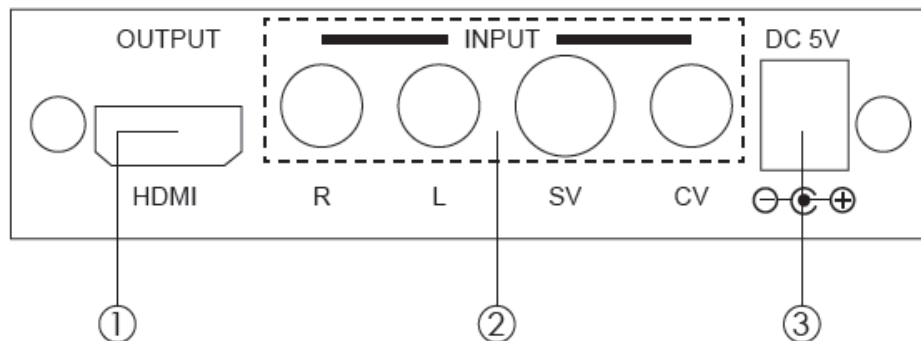
② **INPUT selection bottom** -

- Yellow LED illuminates when composite video is selected.
- Green LED illuminates when S-Video is selected.

③ **AUTO selection button** - Press the button to set the device in Auto mode and the device will auto detected HDMI display's EDID resolution native then the resolution indicator LED will illuminate.

④ **MANUAL selection button** - Press "MANUAL" button to select resolution of the HDMI output from VGA to 1080P.

Rear Panel



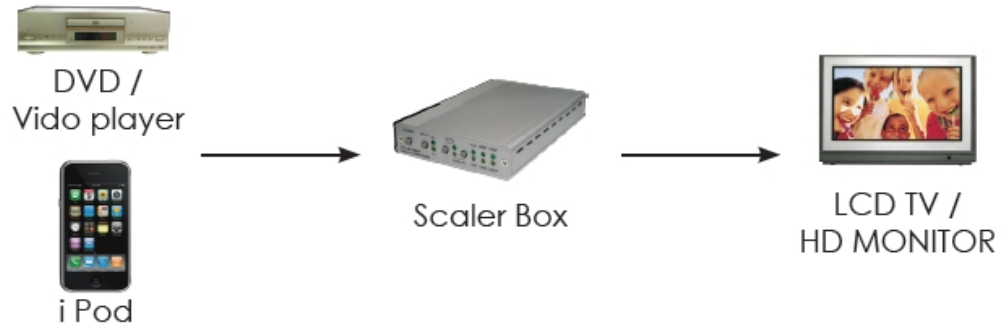
① **HDMI OUTPUT** – Connect to LCD TV/monitor with HDMI cable.

Note: 1. This scaler does not have overscan function however, it may be adjusted by TV.

2. Audio sound will not perform if no input image.

- ② **SV/CV/RL INPUT** – Connect from source with S-Video/CVBS/Video cable & R/L.
- ③ **DC 5V** – Plug the 5V DC power adapter into the unit and connect the adapter to AC wall outlet.

Connection and Installation



Output Resolution Chart

RESOLUTION		
VGA	640 X 480	60HZ
480P	720 X 480	60HZ
576P	720 X 576	50HZ
720P	1280 X 720	60HZ / 50Hz
1080I	1920 X 1080	60HZ / 50Hz
1080P	1920 X 1080	60HZ / 50Hz

OUTPUT	VGA	480P	576P	720P	1080I	1080P
INPUT						
NTSC	○	○	X	○ (60Hz)	○ (60Hz)	○ (60Hz)
PAL	X	X	○	○ (50Hz)	○ (50Hz)	○ (50Hz)

Specifications

Input port	Video / S-Video, Audio R/L RCA Jack
Output port	HDMI
Output resolution	VGA, 480p, 576p, 720p, 1080i, 1080p@ 50/60
Input signal levels	Video at 1vpp, 75Ω Y: 1.0 V _{p-p} (75Ω) C: 0.286 V _{p-p} (75Ω)
Audio L/R:	0.5Vrms
Video System	NTSC, PAL
Audio Sampling Rate	48KHz
Power Supply	5V/2.6A DC (US/EU standards, CE/FCC/UL certified)
Dimensions (mm)	100 x 157 x 25
Weight (g)	332
Chassis Material	Aluminum
Silk Skin Color	Silver
Operating Temperature	From 0°C ~ 40°C
Power Consumption	5W(max)