

Optical 4 in/1 out Audio Switcher - ID# 862



Operation Manual

Introduction

The Optical 4 in/1 out Audio Switcher is designed to select 1 of 4 Toslink optical audio sources for connection to a digital audio sound system. All optical audio signals are passed through without delay or configuration. The device has "last memory" function and IR remote control which makes the product easy to install and user friendly.

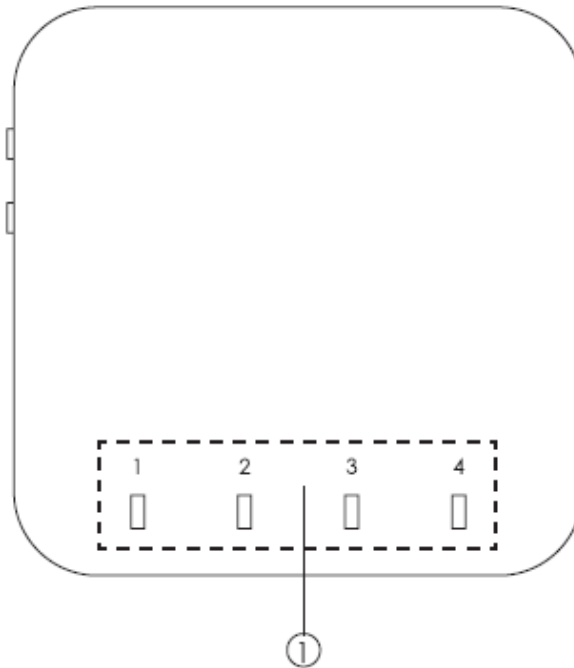
Applications

- Multi-selection audio performance
- Optical audio signal display
- Theater performance
- Audio showroom control

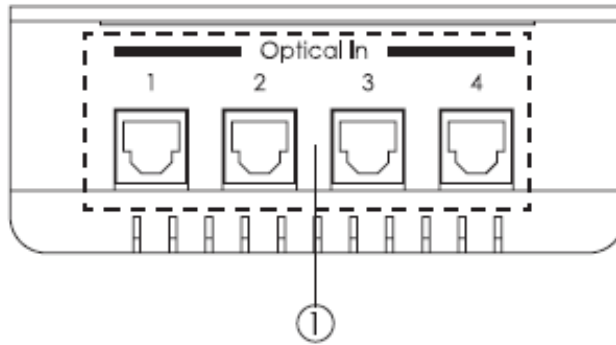
Features

- Optical sampling rate supports up to 192 kHz
- Low power consumption
- up to 24 bit resolution

Operation Controls and Functions Top Panel

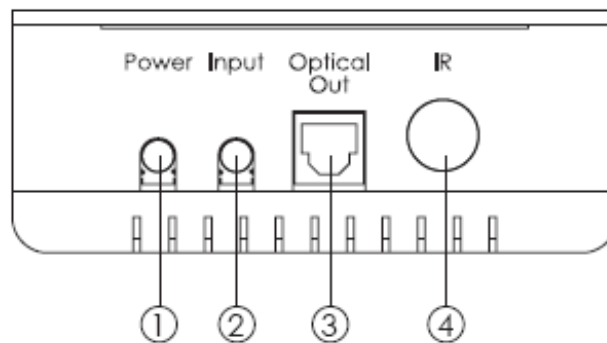


① **Input 1~4:** The LED will illuminate in blue when selected the source



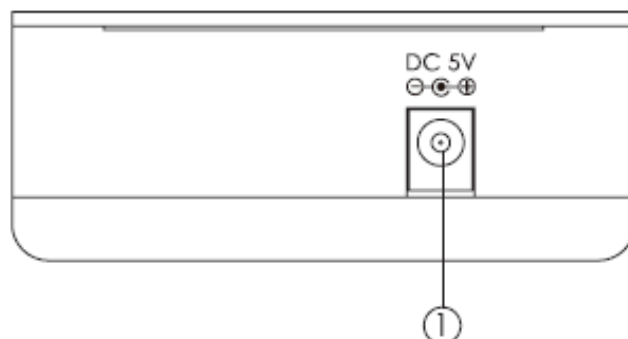
1 Optical In: These slots are to connect with input source equipments such as DVD/Blue-Ray player for audio input signal sending.

Left Panel



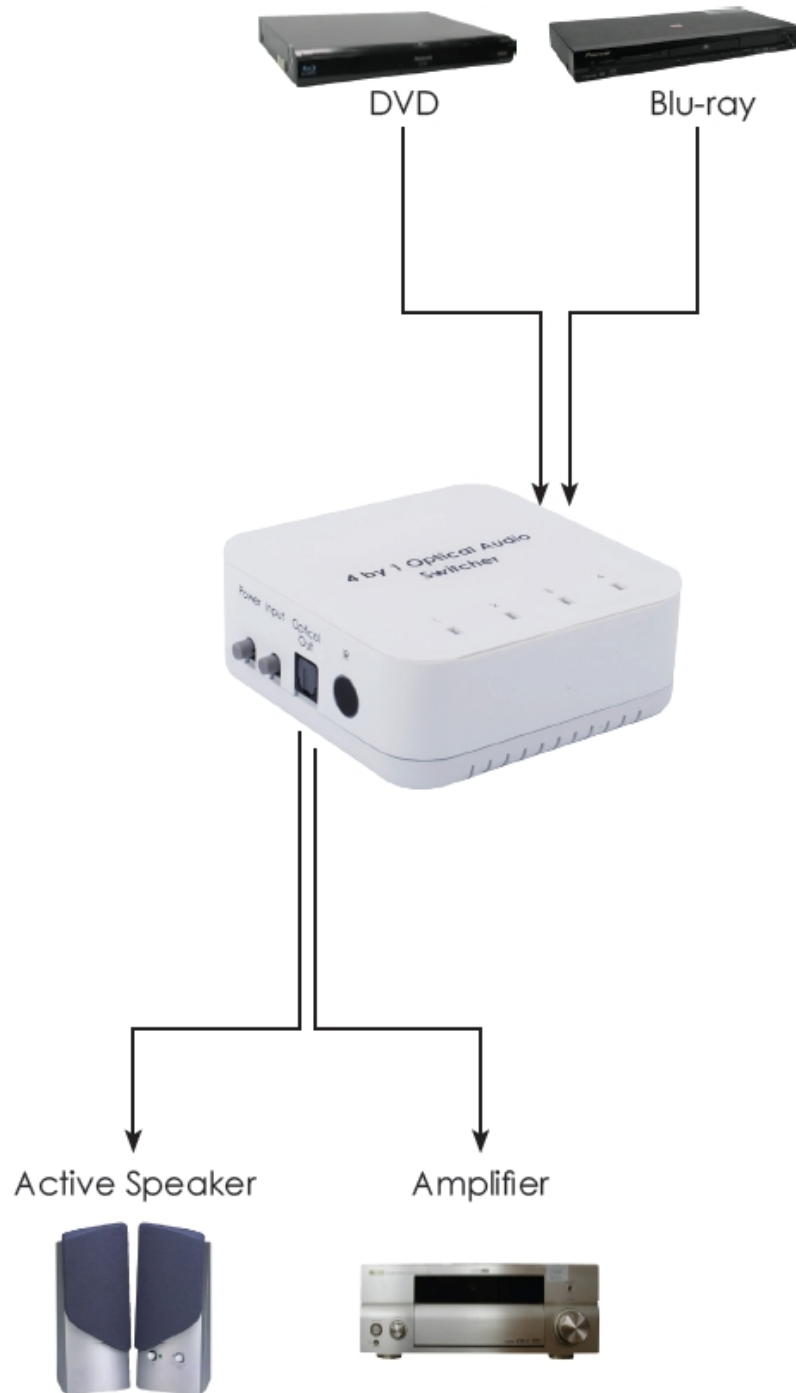
- ① **Power:** Press this button to turn on the device or to set it to standby mode. The blue LED on the top panel will illuminate when the device is turn on.
- ② **Input:** Press this button to select the input port from 1~4. The blue LED on the top panel will illuminate according to the selection.
- ③ **Optical OUT:** This slot is where you connect the amplifier or active speaker with optical cable for audio output.
- ④ **IR:** This is the IR receiver window receiving IR signal from the remote control included with the device.

Rear Panel



Connection and Installation

① **DC 5V:** This slot is where you plug the 5V DC power supply into the unit and connect the adapter to an AC wall outlet.



Specifications

Input Ports	4 x Optical
Sample Frequency	Up to 192 kHz
Output Port	1 x Optical
Audio Format	PCM2, AC3/5.1, Dolby 5.1 & DTS 5.1 pass through
Power Supply	5V / 1A DC (US/EU standards, CE/FCC/UL certified)
ESD Protection	Human body model: ± 8kV (air-gap discharge) ± 6kV (contact discharge)
Dimensions(mm)	100 (W) x 70 (D) x 20(H)
Weight(g)	90
Chassis Material	Plastic
Silkscreen Color	Black
Operating Temperature	0°C~40°C / 32°F~104°F
Storage Temperature	-20°C~60°C / -4°F~140°F
Power Consumption	<1W
Relative Humidity	20 ~ 90% RH (non-condensing)