

L/R In-Out Lip Sync Corrector

- ID# 863



Operation Manual

Introduction

The L/R In-Out Lip SYNC Corrector is a compact device that corrects audio delays between audio and video. When distributing video over long distances through multiple devices like distribution amplifiers and set top boxes there can sometimes be a noticeable delay which results in audio being played before the video. This gadget lets you manually adjust the audio delay from 0 ~300 ms so you can perfectly synchronize your audio and video, so when it reaches the display your media is synced and ready to go. The Lip SYNC Corrector is an affordable and compact device that when placed beside your display greatly enhances your home audio experience.

Applications

- Home Theater
- Cable TV
- Set-Top-Box
- Showroom display

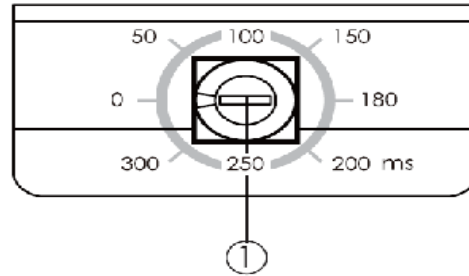
Features

- Sample Rates 48 kHz
- Analog to analog signal bypass
- Low power consumption
- Up to 24 bit resolution

Input Audio Reference Level

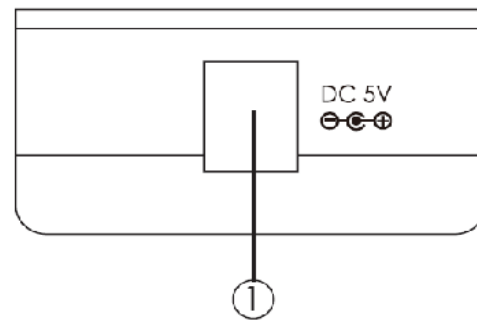
Input Level / Frequency	Output Terminal	Reference Level	THD+N	Frequency Response	SNR	Crosstalk
Analog L/R 2 Vrms / 20.1k, 20kHz	Analog L/R	2.0±0.2Vrms	<0.01%	0±1Vrms	>80dB	<-70dB

**Operation Controls
and Functions
Front Panel**



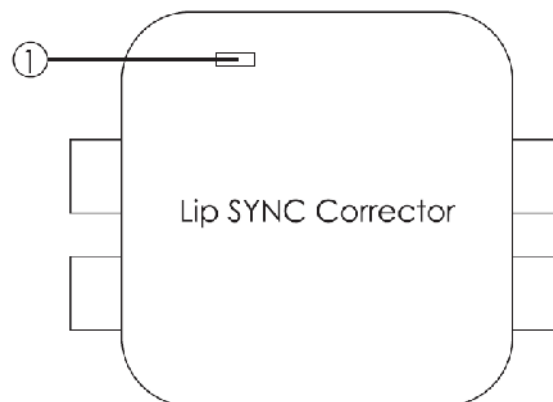
1. Lip SYNC switch: This switch has eight settings that allow users to set the audio output delay from 0~300 milliseconds in order to have perfectly synced audio and video.

Rear Panel



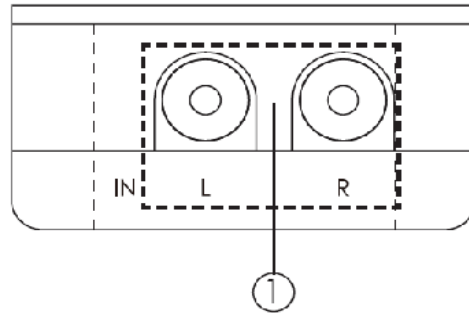
1. DC 5V: This slot is where you plug the 5V DC power supply into the unit and connect the adapter to an AC outlet.

Top Panel



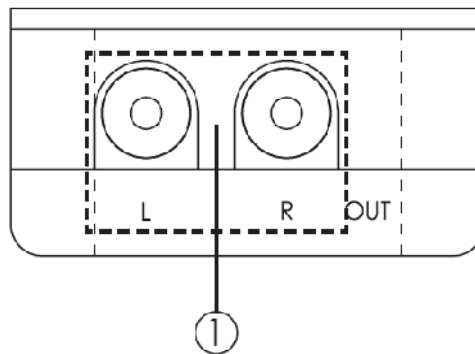
1. Power LED: The blue LED will illuminate when the device is connected with power and detected the signal.

Left Panel



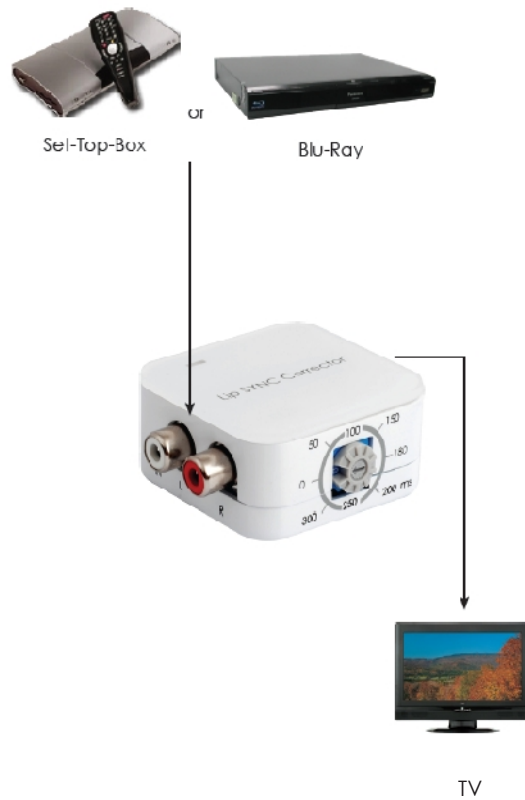
1. L/R IN: These jacks are to connect with input sources such as DVD/Blu- Ray players using stereo cables in order to receive an audio signal.

Right Panel



1. L/R OUT: These jacks are where you connect an output stereo cable to an amplifier, speaker or TV so you can output audio.

Connection



Specifications

Input Port	1 x L/R
Sample Frequency	48 kHz
Output Port	1 x L/R
Input Impedance	44K Ω
Output Impedance	1k Ω
Power Supply	5V / 1A DC (US/EU standards, CE/FCC/UL certified)
ESD Protection	Human body model : ± 8 kV (air-gap discharge) : ± 6 kV (contact discharge)
Dimensions(mm)	42 (W) x 40.5 (D) x 22(H)
Weight(g)	32
Chassis Material	Plastic
Silkscreen Color	White
Operating Temperature	0°C~40°C / 32°F~104°F
Storage Temperature	-20°C~60°C / -4°F~140°F
Power Consumption	0.5 W
Relative Humidity	20 ~ 90% RH (non-condensing)