

***Infrared Extender Box /
Infrared Repeater ID#746/747***



Operation Manual

Introduction

The IR Extender and the Repeater Boxes are two devices that are perfect for controlling source equipment over long distances. Through the built-in IR receiver and CAT5 cable, you are able to control up to five sources at the same time while being 250 meters away, with their original remote controls. There is no space limitation with the devices, meaning even if the source equipment is placed in a different room on a different floor from the display, the performance will stay the same. The IR Extender and Repeater Boxes grant users a great convenience, allowing you to control and display your desired source instantly.

Applications

- TV exhibitions at consumer electronic stores.
- Home theater installation.
- Lecture room display.
- Home entertainment.

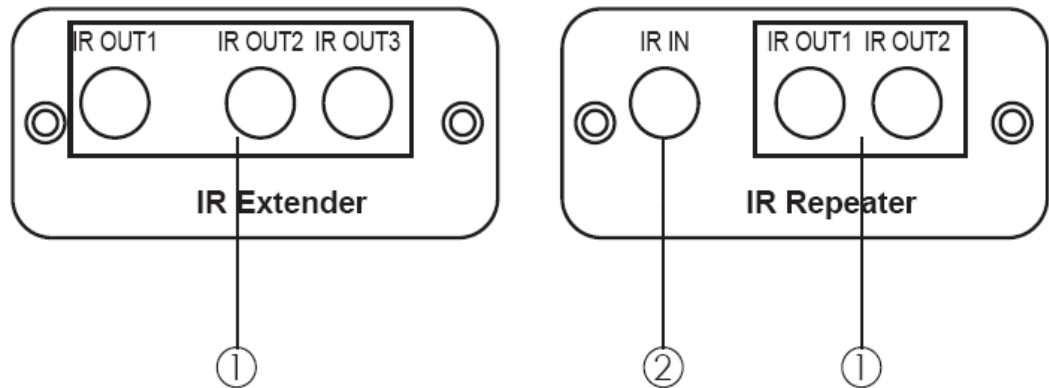
Features

- Supports five outputs (three from Extender, two from Repeater).
- Control source equipment anywhere within 250 meters, even through walls and ceilings.
- Transmits infrared signals only.
- It allows the use of existing remote controls.
- Only one IR Receiver is needed.
- IR Receiver's frequency is at 20~60 KHz.

System Requirements

Input source equipments connected with output displays through CAT 5 cable.

Operating Functions and Controls Front Panel

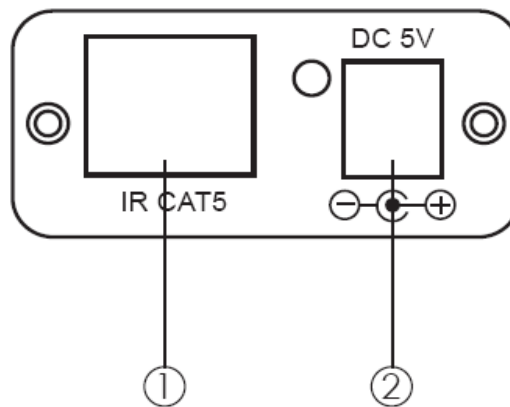


① **IR OUT1, 2 and 3:** Connect your IR Eye Blaster cables to control source equipments.

② **IR IN:** Connect to IR Eye receiver cable in order to receive IR remote control signals.

Note: Please be careful when plugging in the blaster and receiver cables as a wrong connection will result in a cable and device overload.

Rear Panel

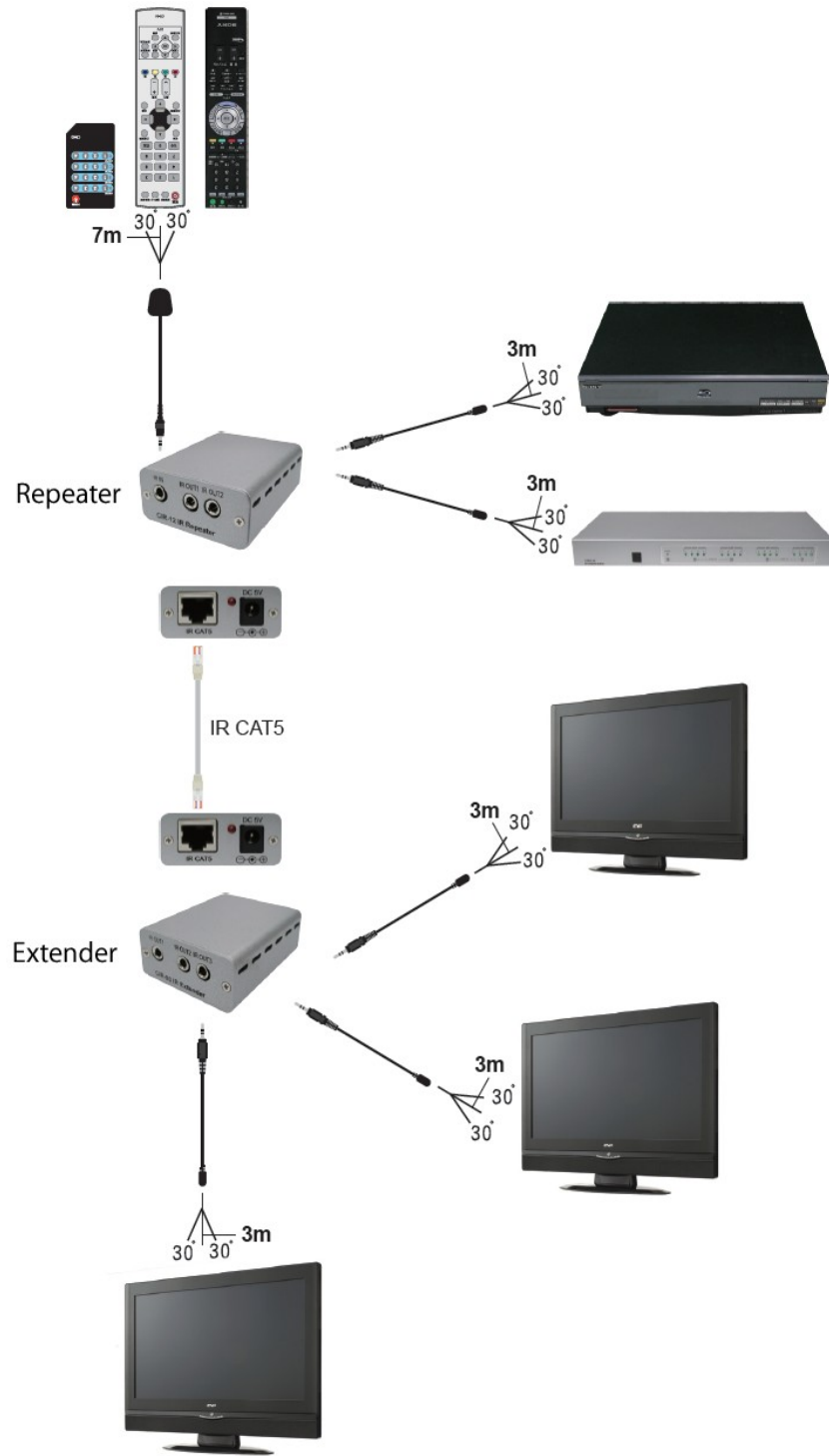


① **IR CAT5:** Connect the CAT 5 cable to Infrared Extender Box with IR receiver.

② **Power:** Plug the 5VDC power supply into the unit and connect the adaptor to an AC outlet.

Note: Only a power adapter is needed, connect the power adapter on either the Extender or Repeater.

Installation and Connection



Note: A. IR receiver's control distance can go up to 7 meters long with open space and direct angle.
B. IR extender's Control distance can go up to 3 meters with open Space and direct angle.

Specifications

| | |
|---|---|
| Input Port | 1 x IR receiver |
| Output Ports | 1 x CAT5 (CIR-03, CIR-12) |
| 5 x IR extender (3 x CIR-03, 2 x CIR-12) | |
| Power Supply | 2 x 5V/1A DC (US/EU standards, CE/FCC/UL certified for CIR-12.) |
| Dimensions (mm) | 62(W) x 50(D) x 23(H) |
| Weight(g) | 78 |
| Chassis Material | Aluminum |
| Silkscreen Color | Silver |
| Operating Temperature | 0°C ~ 40°C |
| Power Consumption | 0.5w |