

HDMI/VGA to HDMI 6G Scaler

ID# 15465



Operation Manual

Introduction

This is a compact yet versatile 4K UHD HDMI and PC/HD to HDMI Scaler. It accepts a wide range of resolutions from 480i up to 1080p/WUXGA for PC/HD and up to 4K@60Hz (4:4:4) for HDMI with the ability to scale the output to a selectable resolution up to 4K@60Hz (4:4:4) with simultaneous de-embedded, digital optical and analog audio output. 3-D motion adaptive de-interlacing and frame rate conversion is supported as well.

Integrated EDID management options allow for control over the way connected sources detect the unit. Also included is an auto source detection and switching feature allowing the unit to switch automatically to the most recently connected source, or to switch to the alternate source if the current one becomes disconnected.

This unit has a comprehensive OSD menu that provides the user with easy access to all settings. An integrated hot-key design makes for rapid access to common functions such as input selection and audio volume. This is an ideal device to integrate previously incompatible sources and displays or to provide a flexible auto-detecting input point for your boardroom meeting presenter's devices.

Features

- HDMI 2.0 with 4K@60Hz (4:2:0 and 4:4:4) support, DVI 1.0 compliant
- HDCP 2.2 compliant
- Supports PC input resolutions from VGA~WUXGA and HD input resolutions from 480i~1080p@60Hz
- Supports HDMI input resolutions from 480i~4K@60Hz (4:4:4, 8-bit)
- Supports HDMI output resolutions from 640×480@60Hz up to 4096×2160@60Hz (4:4:4, 8-bit)
- Analog YUV input is supported with the use of a 15-pin to 3-RCA adapter
- 50/60Hz frame rate conversion
- 3-D motion adaptive de-interlacing and 3:2/2:2 pull-down detection and recovery
- Can automatically detect and output the preferred resolution and refresh rate reported by the EDID of the connected display (NATIVE output mode)
- EDID management options including multiple pre-defined EDIDs and EDID pass-through
- Comprehensive output picture adjustments (contrast, brightness, hue, saturation, sharpness, RGB (color tone) level and aspect ratio size)
- Supports LPCM 2.0 digital/analog audio input and LPCM 2.0 digital/analog output. The audio source is selected via the OSD and output simultaneously over the HDMI, optical and phone jack connections
- Supports firmware updates via USB

Applications

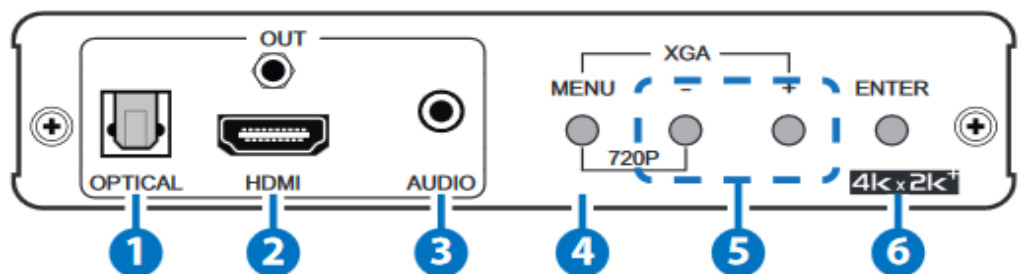
- Home Theater with 4K@60Hz HDMI media player and VGA home PC with output to a 4K@60Hz TV
- Boardroom presenter connection point with auto-switching to new presenters and output to a large 4K display
- Lecture Hall, Showroom or Classroom signal display
- Displaying analog PC/HD contents on an HDMI display with audio

System Requirements

- HDMI or VGA source equipment such as media players, video game consoles, set-top boxes, PCs or laptops
- HDMI receiving equipment such as HDTVs, monitors or audio amplifiers
- The use of “Premium High Speed HDMI” cables is highly recommended

Operating Functions and Controls

Front View



1. **OPTICAL OUT:** Connect to powered speakers or an amplifier for digital audio output using an appropriate optical cable. Supports LPCM 2.0 audio only. Bitstream formats will be muted.
2. **HDMI OUT:** Connect to HDMI TVs, monitors or amplifiers for digital video and audio output.
Note: When outputting 4K@60Hz HDMI signals, a compatible 4K@60Hz display is required. The use of “Premium High Speed HDMI” cables is highly recommended.
3. **AUDIO OUT:** Connect to powered speakers or an amplifier for stereo analog audio output. Supports LPCM 2.0 audio only.

Bitstream formats will be muted.

4 . MENU: Press to enter the OSD menu, or to back out from menu items.

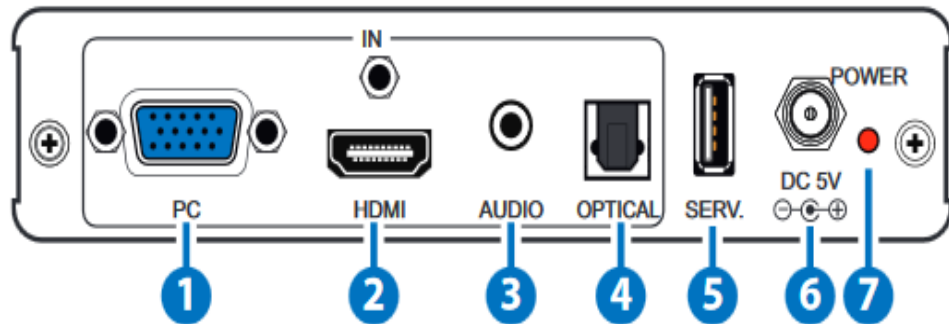
Note: Pressing “MENU” and “+” together will reset the output resolution to XGA (1024x768@60Hz). Pressing “Menu” and “-” together will reset the output resolution to 720p@60Hz.

5 . -/+: Press to move up and down or adjust selections within menus. When not in the OSD press “-” to adjust the analog audio output volume (with on screen level indicator). Press “+” to activate the Auto Adjust function for VGA sources.

6 . ENTER: Press to confirm a selection or to go deeper into a menu item within the OSD. When not in the OSD this button switches between the 2 inputs.

Note: Pressing “ENTER”, “+” and “-” together will perform a factory reset on the unit

Rear View



1. PC IN: Connect to VGA source equipment such as a PC or laptop. YUV sources, such as DVD players, are also supported with the use of a 15-pin to 3-RCA adapter.

2 . HDMI IN: Connect to HDMI source equipment such as a media player, game console or set-top box. DVI sources are also supported with the use of an HDMI to DVI adapter.

Note: When outputting 4K@60Hz HDMI signals, a compatible 4K@60Hz display is required. The use of “Premium High Speed HDMI” cables is highly recommended.

3 . AUDIO IN: Connect to the stereo analog output of a device such as a CD player or PC.

4 . OPTICAL IN: Connect to the optical audio output of a device such as a media player or game console using an appropriate optical cable.

5 . SERVICE: This slot is reserved for firmware update use only.

6 . DC 5V: Plug the 5V DC power adapter into the unit and connect it to an AC wall outlet for power.

7 . POWER LED: This LED will illuminate to indicate the unit is on and receiving power.

OSD Menu

Main Menu	Sub Menu	Parameters	Default
PICTURE	CONTRAST	0~100	50
	BRIGHTNESS	0~100	50
	Exit		
FINETUNE [HDMI/YPbPr source only]	HUE	0~100	50
	SATURATION	0~100	50
	SHARPNESS	0~100	50
	NR	OFF	OFF
		LOW	
		MIDDLE	
HIGH			
EXIT			
FINETUNE [PC source only]	PHASE	0~100	
	CLOCK	0~100	
	H-POSITION	0~100	
	V-POSITION	0~100	
	EXIT		
COLOR	RED	0~100	50
	GREEN	0~100	50
	BLUE	0~100	50
	EXIT		
OUTPUT	SOURCE	PC/YPbPr	HDMI
		HDMI	
	RESOLUTION *	640×480@60	NATIVE
		800×600@60	
		1024×768@60	
		1280×768@60	
		1360×768@60	
		1280×800@60	
		1280×1024@60	
		1440×900@60	
1400×1050@60			

		1680×1050@60	
		1600×1200@60	
		1920×1200@60 (RB)	
		480P@60	
		576P@50	
		720P@50	
		720P@60	
		1080P@50	
		1080P@60	
		4K2K@24	
		4K2K@25	
		4K2K@30	
		4K2K@50	
		4K2K@60	
		4K2K@50 (4:2:0)	
		4K2K@60 (4:2:0)	
		NATIVE	
	UHD BYPASS	BYPASS	SCALER
		SCALER	
	SIZE*	FULL	BEST FIT
		OVER SCAN	
		UNDER SCAN	
		LETTER BOX	
		PAN SCAN	
		BEST FIT	
	EXIT		
AUDIO	HDMI INPUT	AUTOMATIC	AUTOMATIC
		EMBEDDED	
		ANALOG	
		OPTICAL	
	PC INPUT	ANALOG	ANALOG
OPTICAL			
	VOLUME	0~100	100 [=2Vrms]

	[Analog audio only]		
	EXIT		
OSD	TIMER	OFF	10
		5~100	
	DISPLAY	INFO	INFO
		ON	
		OFF	
EXIT			
EDID MANAGE [HDMI source only]	EDID COPY	DEF, 1080P	DEF, 1080P
		DEF, 4K2K (6G)	
		DEF, 4K2K	
		DEF, 4K2K (3G)	
		OUTPUT	
	EXIT		
ADVANCED	AUTO SYNC	OFF	OFF
		FAST [≈ 10 sec.]	
		SLOW [≈ 120 sec.]	
	AUTO INPUT	OFF	AUTO SWITCH
		AUTO SWITCH	
	HDCP ON INPUT	OFF	ON
		ON	
	AUTO ADJUST	OFF	OFF
		ON	
	EXIT		
FACTORY	RESET	NO	NO
		YES	
	EXIT		

Note:

- When outputting a 4K resolution with the same refresh rate as the 4K source (or when bypass mode is enabled) the OSD items marked with an asterisk (*) will be disabled.
- When a new output resolution is selected the output will immediately change and you will be asked to confirm that you can view the new

resolution by pressing “Enter”. If “Enter” is not pressed within 30 seconds the output will return to the previous resolution automatically.

Supported Resolutions

PC Resolution (Hz)	HDMI Input	VGA Input	HDMI Output
640×480@60/72/75/85	Yes	Yes	60Hz only
800×600@56/60/72/75/85	Yes	Yes	
1024×768@60/70/75/85	Yes	Yes	
1280×1024@60/75/85	Yes	Yes	
1360×768@60	Yes	Yes	Yes
1280×800@60	Yes	Yes	Yes
1280×1024@60	Yes	Yes	Yes
1440×900@60	Yes	Yes	Yes
1400×1050@60	Yes	Yes	Yes
1600×1200@60	Yes	Yes	Yes
1680×1050@60	Yes	Yes	Yes
1920×1200@60 (RB)	Yes	Yes	Yes

TC Resolution (Hz)	HDMI Input	YPbPr Input	HDMI Output
480i/576i	Yes	Yes	
480p/576p	Yes	Yes	Yes
720p@50/60	Yes	Yes	Yes
1080i@50/60	Yes	Yes	
1080p@24/25/30	Yes	Yes	
1080p@50/60	Yes	Yes	Yes
3840×2160@24/25/30	Yes		Yes
3840×2160@50/60	Yes		Yes
4096×2160@24/25/30	Yes		Byapass Only
096×2160@50/60	Yes		

Scaled Resolutions

Input Resolution	Output Resolution	UHD BYPASS			
		SCALER		BYPASS	
		Bypass Path	Scaler Path	Bypass Path	Scaler Path
Non-4K Timing	Any Timing		Yes		Yes
4K but not 24Hz	4K@24Hz		Yes	N/A	N/A
4K but not 25Hz	4K@25Hz		Yes	N/A	N/A
4K but not 30Hz	4K@30Hz		Yes	N/A	N/A
4K but not 50Hz	4K@50Hz	Note	Yes	N/A	N/A
4K but not 60Hz	4K@60Hz	Note	Yes	N/A	N/A
4K but not 50Hz	4K@50Hz (4:2:0)	Note	Yes	N/A	N/A
4K but not 60Hz	4K@60Hz (4:2:0)	Note	Yes	N/A	N/A
4K@24Hz	4K@24Hz	Yes		Yes	
4K@25Hz	4K@25Hz	Yes		Yes	
4K@30Hz	4K@30Hz	Yes		Yes	
4K@50Hz	4K@50Hz	Yes		Yes	
4K@60Hz	4K@60Hz	Yes		Yes	
4K@50Hz (4:2:0)	4K@50Hz (4:2:0)	Yes		Yes	
4K@60Hz (4:2:0)	4K@60Hz (4:2:0)	Yes		Yes	

Note: If a 4K input source and the selected 4K output resolution share the same timing (e.g. 3840×2160@60Hz input to 3840×2160@60Hz output) but use different color sub-sampling (4:4:4 to 4:2:0) the unit will convert the color and use the “Bypass path” for the output.

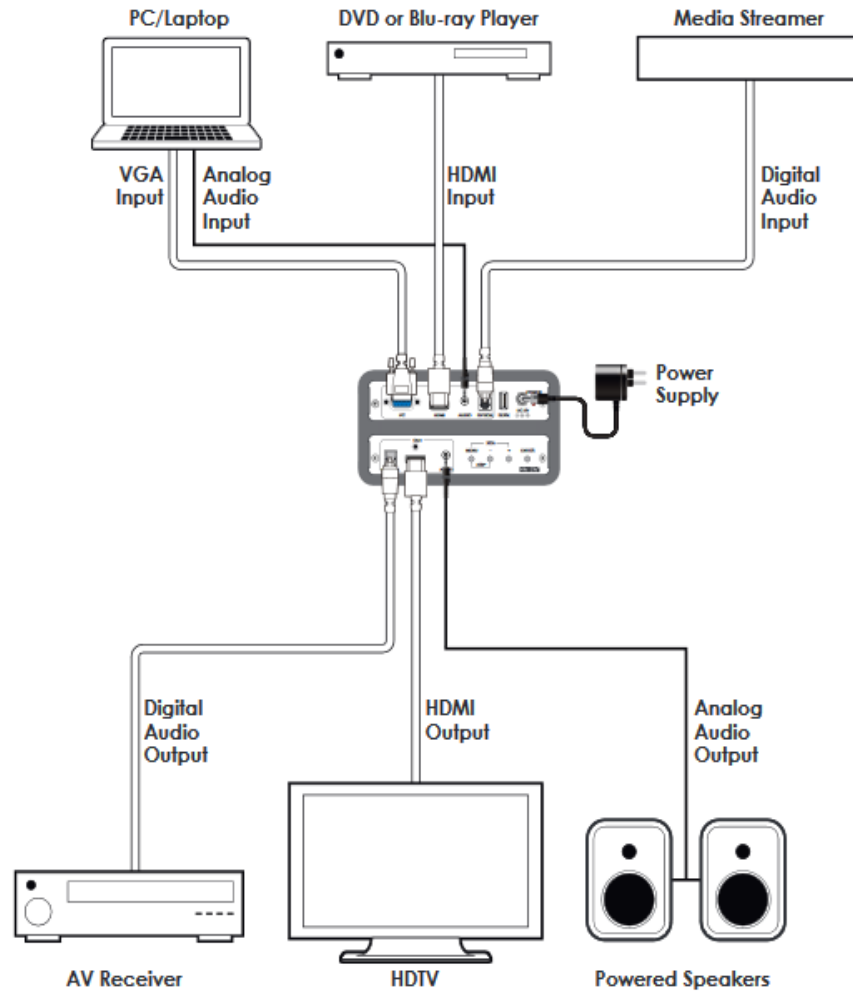
Audio Specifications

Formats	HDMI	Optical	Analog
LPCM 2.0	Yes		
LCPM 5.1	Yes		
LCPM 7.1	Yes		
Bitstream	Yes		
HD Bitstream	Yes		

Sampling Rates (kHz)	HDMI	OPTICAL
32	Yes	Yes
44.1	Yes	Yes
48	Yes	Yes
88.2	Yes	
96	Yes	
176.4	Yes	
192	Yes	

Input		Output				
Level	Frequency Range	Level	THD+N	Frequency Response	SNR	Crosstalk
Digital Audio		Digital Audio				
0 dB	1 kHz	0 dB ~ -1 dB	< 0.01 %	± 1 dB	> 80 dB	< -80 dB
Analog Audio		Digital Audio				
1Vrms	1 kHz	0 dB ~ -1.5 dB	< 0.01 %	± 3 dB	> 70 dB	< -60 dB
Digital Audio		Analog Audio				
0 dB	1 kHz	0.5 Vrms ± 10 %	< 0.01 %	± 3 dB	> 80 dB	< -60 dB
Analog Audio		Analog Audio				
1Vrms	1 kHz	0.5 Vrms ± 10 %	< 0.01 %	± 3 dB	> 70 dB	< -60 dB

Connection Diagram



Specifications

Video Bandwidth	600MHz/18Gbps
Input Ports	1×HDMI, 1×VGA [15-pin D-sub], 1×Optical Audio, 1×3.5mm Audio
Output Ports	1×HDMI, 1×Optical Audio, 1×3.5mm Audio
Supported Resolutions	408i@60Hz - 4K@60Hz (4:4:4, 8-bit) VGA@60Hz - WUXGA@60Hz (RB)
Cable Length	10 m (1080p@60Hz, 12-bit) 5 m (4K@60Hz, 4:4:4, 8-bit)
Power Supply	5V/2.6A DC (US/EU standards, CE/FCC/UL certified)
ESD Protection	Human Body Model: ±8KV (Air Discharge), ±4KV (Contact Discharge)
Dimensions	145mm×30mm×201.2mm (W×H×D)
Weight	578g
Chassis Material	Aluminum
Silkscreen Color	Black
Operating Temperature	0°C - 40°C/32°F - 104°F
Storage Temperature	-20°C - 60°C/-4°F - 140°F
Relative Humidity	20 - 90% RH (No-condensing)
Power Consumption	8.47W