

4 by 4 HDMI V1.3 Matrix ID #735



Operation Manual

Introduction

While HDMI products are getting more and more popular in the market people usually have more than one HDMI devices and sources in one place. HDMI V1.3 Matrix provides the excellent solution for connecting all the devices and sources together for your convenience use, it also provides you a variety of choices on where to play your images with remote controller. Further, HDMI V1.3 Matrix can transfer Deep Color video and bit stream digital audio with maximum performance and it supports HDMI 1.3, HDCP 1.1 and DVI 1.0.

Applications

- Multi-source with multi-display control.
- Home entertainment integration.
- Multi-task project presentation.
- Showroom display.
- Advertising display control.

System Requirements

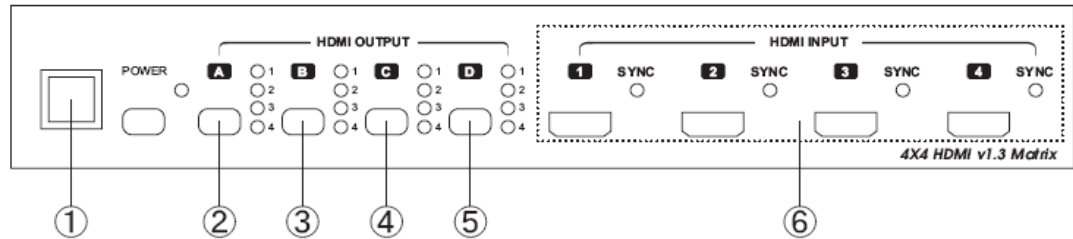
HDMI input device(s) and HDMI output device(s).

Features

- **HDMI 1.3, HDCP 1.1 and DVI 1.0 compliant.**
- Supports digital video formats in Deep Color Mode at up to 36 bits (12bits/color) and new lossless compressed (Dolby TrueHD, Dolby Digital Plus and DTS-HD Master Audio) digital audio and LPCM7.1.
- Supports input source LED indicators on each output select.
- Compatible with all HDMI sources and displays.
- Supports a wide range of PC and HDTV resolutions from VGA to UXGA and 480i to 1080p.
- Supports RS-232 control.
- Supports IR remote control and IR extender.
- Dolby Digital, DTS digital audio transmission (32-192 kHz Fs sample rate).
- HDMI cable distance test with 1080p/8-bit & 12-bit resolution, the input/output can run up to 15/15 meters.
- High performance Matrix of 4 inputs and 4 outputs.
- Re-timed and level compensated HDMI signal progress through the system.
- Switchable EDID function for choosing EDID to display.

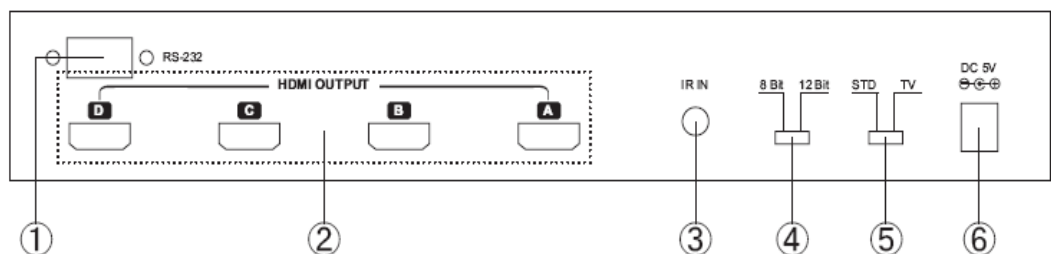
Operation Controls and Functions

Front Panel



- ① . **Remote control sensor.**
- ② . **Input Select/Indicators (A):** Press the HDMI out “A” button repeatedly to switch to your desired source and the LED will illuminate to indicate which input source is being selected and routed to HDMI A output.
- ③ . **Input Select/Indicators (B):** Press the HDMI out “B” button repeatedly to switch to your desired source and the LED will illuminate to indicate which input source is being selected and routed to HDMI B output.
- ④ . **Input Select/Indicators (C):** Press the HDMI out “C” button repeatedly to switch to your desired source and the LED will illuminate to indicate which input source is being selected and routed to HDMI C output.
- ⑤ . **Input Select/Indicators (D):** Press the HDMI out “D” button repeatedly to switch to your desired source and the LED will illuminate to indicate which input source is being selected and routed to HDMI D output.
- ⑥ . **HDMI inputs:** Connect input ports to the HDMI or DVI output of your source equipment such as DVD player or set-top-box. When the input connection been detected the SYNC LED will illuminate.

Rear Panel



- ① . **RS-232 communication port:** Connect the COM port of your PC for the distant control over RS-232 channel. Detail Specifications in section 8.
- ② . **HDMI outputs:** Connect each of these output ports to the HDMI display(s). The device supports repeater function and each output port can supports 16 key sets of KSV and 4 outputs can support a total of 64 key sets of KSV.
- ③ . **IR IN:** Place the IR receiver cable in front of the displays and then using sources remote control to control sources through IR receiver cable.
- ④ . **8/12 bits switcher** – Supports 8 or 12 bit's deep color function. This selection

is only available when EDID is in STD mode.

Note:

When HDMI output has both 8-bit and 12-bit displays, to ensure all output will display, switch to 8-bit is imply with the first HDMI output of 8 bit's displayer. On the other hand, when all output are with the same bit's displayer of 12-bit or 8-bit then switch the function to 12-bit or 8-bit will be proper. The splitter will not function according to different bits' of display on HDMI outputs simultaneously.

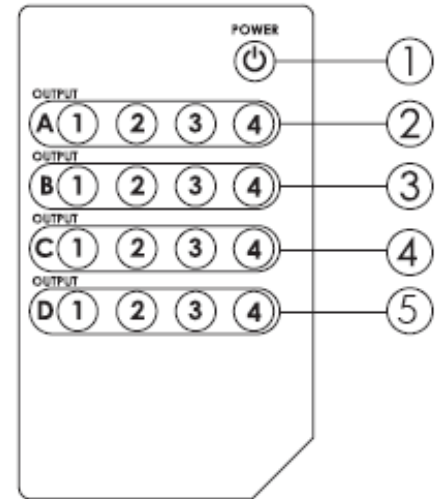
⑤ . **EDID Control Switcher:** Default factory setting is TV, leave as it is when the displays are working properly. Switch to STD to use built-in EDID.

Note:

1. STD means internal EDID, TV means external EDID.
 2. When EDID swtich to TV, the unit will detect the first DVI output source's EDID and record in the unit. If the first detected output source is HDMI it will pass to next source, until the first DVI been detected. The detection priority is HDMI v1.3 < HDMI v1.2 < DVI.
 3. When EDID is on STD: unit use built-in EDID
Video Support ->1080p 12-bit (max)
Audio Support ->PCM2.
 4. EDID switching during display will cause image pause do to EDID resetting and image re-position.
- ⑥ . **Power:** Plug the 5VDC power supply into the unit and connect the adaptor to AC wall outlet.

Remote Control

1. **Power:** Press the button to turn on/off the unit.
2. **Input Select for HDMI OUT A:** Press 1, 2, 3 or 4 to select the desired input source for HDMI OUT A.
3. **Input Select for HDMI OUT B:** Press 1, 2, 3 or 4 to select the desired input source for HDMI OUT B.
4. **Input Select for HDMI OUT C:** Press 1, 2, 3 or 4 to select the desired input source for HDMI OUT C.
5. **Input Select for HDMI OUT D:** Press 1, 2, 3 or 4 to select the desired input source for HDMI OUT D.



RS-232 Pin Protocol Definitions

ID # 735			Remote Control Console	
PIN	Definition		PIN	Definition
1	NC		1	NC
2	TxD		2	RxD
3	RxD	→	3	TxD
4	NC		4	NC
5	GND		5	GND
6	NC	←	6	NC
7	NC		7	NC
8	NC		8	NC
9	NC		9	NC

*** RS-232 transmission format:**

Baud Rate: 19200bps

Data Bit: 8 bits

Parity: None

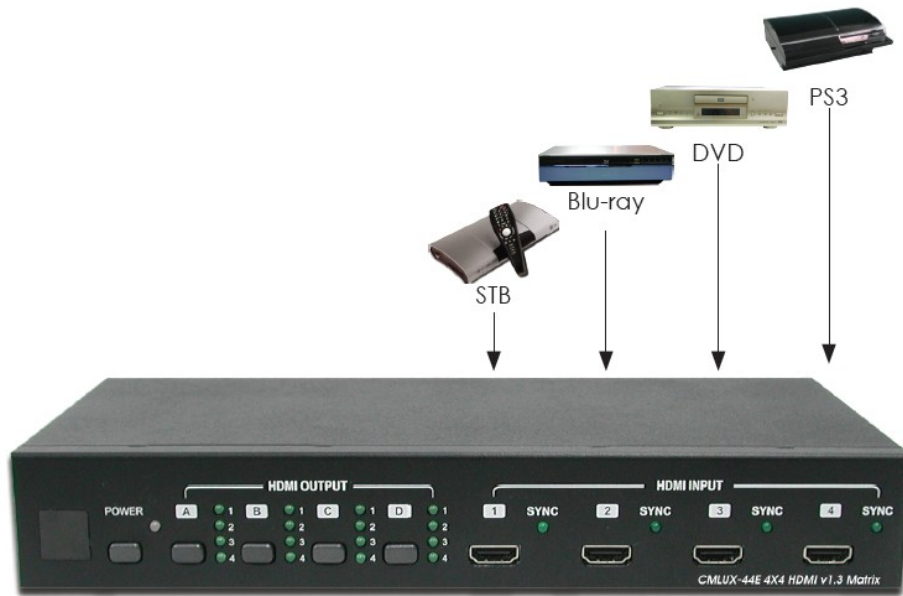
Stop Bit: 1 bit

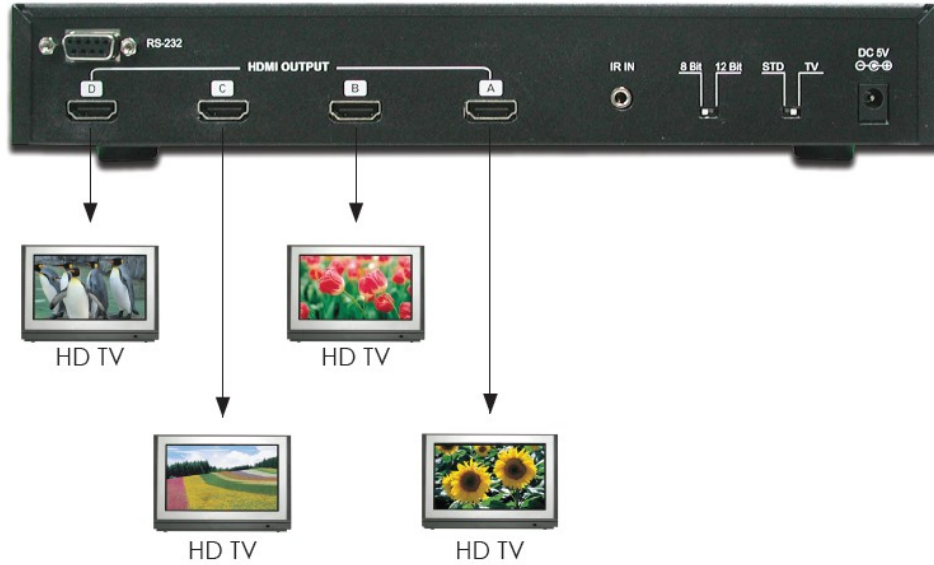
Flow Control: None

Commands

COMMAND	ACTION
POWER 00 ↵	Power Off (standby)
POWER 01 ↵	Power On
PORT 11 ↵	Output A select Input1
PORT 12 ↵	Output A select Input2
PORT 13 ↵	Output A select Input3
PORT 14 ↵	Output A select Input4
PORT 21 ↵	Output B select Input1
PORT 22 ↵	Output B select Input2
PORT 23 ↵	Output B select Input3
PORT 24 ↵	Output B select Input4
PORT 31 ↵	Output C select Input1
PORT 32 ↵	Output C select Input2
PORT 33 ↵	Output C select Input3
PORT 34 ↵	Output C select Input4
PORT 41 ↵	Output D select Input1
PORT 42 ↵	Output D select Input2
PORT 43 ↵	Output D select Input3
PORT 44 ↵	Output D select Input4

Installation





Specifications

Frequency bandwidth	2.25Gbps (single link)
Input ports	4 x HDMI female ports,
Output ports	4 x HDMI female ports
EDID	Standard, TV/Moving Port 1
HDMI Audio output	PCM2, PCM5.1, PCM7.1, Dolby5.1, DTS5.1,
HDMI Cable in	DD+ TrueHD, DTS-HD
HDMI Cable out	1080p 8bit (5M), 1080p 12bit (5M) 1080p 8bit (15M), 1080p 12bit (5M) RGB_24/36, YCbCr 4:4:4_24/36, YCbCr
Color Space	4:2:2, xvyycc
IR	Yes
IR extender	x 1
Deep Color	1080p 12bit
HDMI Resolution	480i~1080p 50/60, 1080p 24, VGA~UXGA
DVI Resolution	480i~1080p 50/60, 1080p 24, VGA~UXGA
Power Supply	5VDC/3.2A (US/EU standards, CE/FCC/UL certified)
Dimensions (mm)	280(W) x 145(D) x 49(H)
Weight(g)	1190
Chassis Material	Metal
Silkscreen Color	Black
Operating Temperature	0°C ~ 40°C
Power Consumption	13W