

# HDMI 4Kx2K Audio Extractor

## # 15217



**Operation Manual**

## Introduction

The HDMI 4K×2K Audio Extractor allows you to de-embed the audio signal from an HDMI source. With this Audio Extractor you can take your original HDMI audio signal and convert it to digital optical or analog stereo (L/R) audio, allowing you to output your audio signal to an external audio system or to extend your audio signal pathway. It also has the added benefit of 4K×2K and 3D support, allowing full resolution video and eliminating the need to downscale the image.

## Features

- Compliant with HDMI, HDCP 1.2 and DVI 1.0
- Supports HDMI audio sampling rates up to 192kHz
- Supports Optical (S/PDIF) digital audio sampling rates up to 192kHz
- HDMI supports high-bit-rate (HBR) audio
- No HDMI output connection is required for analog or optical audio output
- Supports analog stereo (L/R) and Optical digital audio (S/PDIF) outputs
- Supports maximum input and output HDMI cable lengths of up to 15 meters each at 1080p/8-bit resolution or 10 meters each at 1080p/12-bit or 4K×2K resolution
- Supports built-in audio EDID switching between LPCM 2CH, TV (external) EDID or Bitstream audio
- Supports 4K×2K resolution and 3D signals

*Note: For playback of 4K×2K/3D HDMI source signals, a 4K×2K/3D capable display and High Speed HDMI cables are required.*

## Applications

- Play a game console on monitor lacking audio output by connecting a separate audio system
- Extend your audio signal
- Audio extraction for non-HDMI AV Receivers or wider audio systems
- De-embedding of HDMI digital audio to optical digital or analog outputs
- De-embed HDMI audio for use with non-HDMI equipped devices such as an AV Receiver

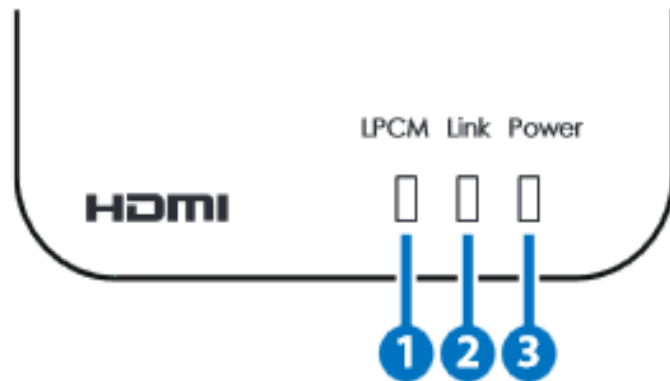
## System Requirements

Source device such as a Blu-ray player or games console and display (TV/monitor) and amplifier/active speakers with suitable connection cables



## Operation Controls and Functions

### Top Panel



#### 1. LPCM LED:

This LED will illuminate to indicate that the output audio EDID is switched to LPCM 2CH

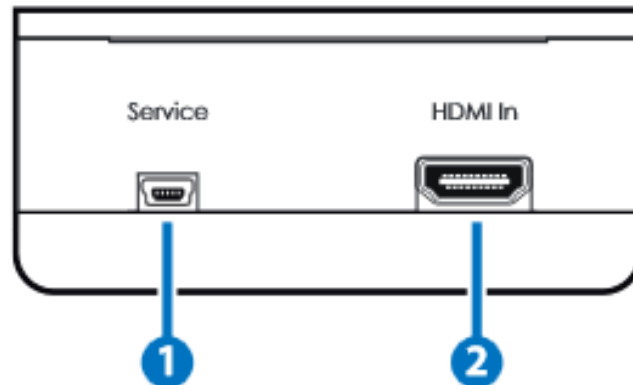
#### 2. Link LED:

This LED will illuminate when an active HDMI signal is being received.

#### 3. Power LED:

This LED will illuminate when the unit is connected to an active power supply.

### Right Panel



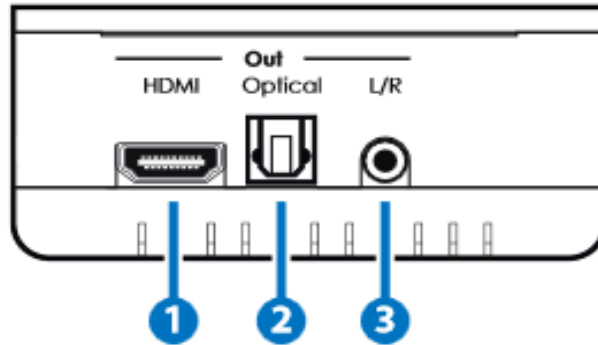
#### 1. Service:

Manufacturer use only.

#### 2. HDMI In:

Connect to source device such as a Blu-ray player or games console with an HDMI cable.

## Left Panel



### 1. HDMI Out:

Connect the HDMI output port to the HDMI input port of your display with an HDMI cable.

*Note:*

1. For playback of 4K×2K/3D HDMI source signals, a 4K×2K/3D capable display and High Speed HDMI cables are required.

2. No HDMI output connection is required for analog or optical audio output.

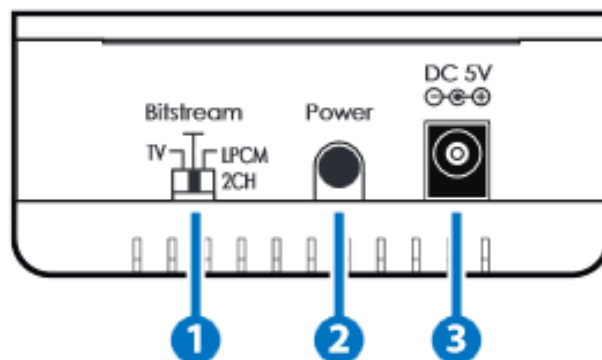
### 2. Optical Out:

Connect to audio equipment such as an amplifier or Hi-Fi system with an optical cable for digital audio output. Supports up to Bitstream 5.1CH and LPCM 2CH audio.

### 3. L/R Out:

Connect to audio equipment such as an amplifier or active speakers with a 3.5mm mini-jack cable for analog stereo audio output.

## Rear Panel



### 1. Audio EDID Switch:

This switch allows users to select which audio EDID settings are used for audio output.

**TV Mode:** Switch to TV mode to use the EDID settings of the display connected to the HDMI output port.

**Bitstream Mode:** Switch to set the HDMI source device to output the audio in bitstream mode (supports up to 5.1 channels of compressed audio).

**LPCM 2CH Mode:** Switch to set the HDMI source device to output

the audio in LPCM 2CH mode.

*Note: Depending on the input audio format, the unit may not output audio through all output ports (See **Supported Audio Formats** Section ). For Example, there will be no audio output from the L/R analog output port when the input audio format is LPCM 5.1CH.*

**2. Power Button:**

Press to turn on the unit or to set it into standby mode.

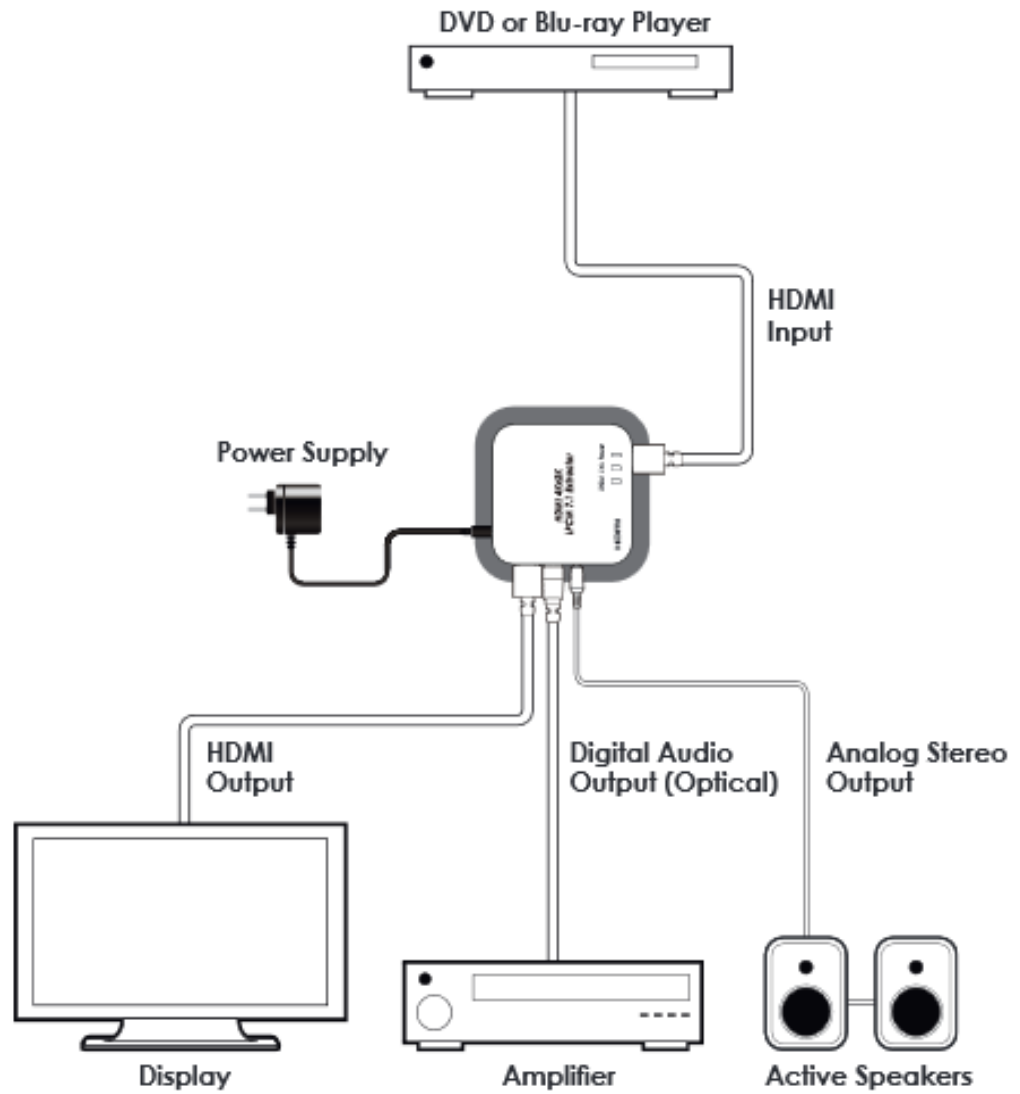
**3. DC 5V:**

Plug the 5V DC power supply into the unit and connect the adaptor to an AC wall outlet

**Supported  
Audio Formats**

Format	Output		
	HDMI	OPTICAL	ANALOG
LPCM 2CH	√	√	√
LPCM 5.1CH	√	-	-
LPCM 7.1CH	√	-	-
Bitstream 5.1CH	√	√	-
Bitstream 7.1CH	√	-	-

# Connection Diagram



## Specifications

<b>Video Bandwidth</b>	300Mbps/10.2Gbps
<b>Input Ports</b>	1×HDMI, 1×Mini-USB (Manufacturer use only)
<b>Output Port</b>	1×HDMI, 1×Optical, 1×3.5mm Mini-jack,
<b>Audio Sampling Rates</b>	HDMI: Up to 192kHz S/PDIF (Optical): Up to 192kHz
<b>HDMI Audio Formats</b>	LPCM 2/5.1/7.1CH, Dolby Digital 2~5.1CH, DTS 2~5.1CH, Dolby Digital Plus, Dolby TrueHD & DTS-HD Master Audio
<b>Optical Audio Formats</b>	LPCM 2CH, Dolby Digital 2~5.1CH & DTS 2~5.1CH
<b>Analog Audio Format</b>	Analog Stereo 2CH
<b>HDMI Cable I/O Distance</b>	15m (1080p@8-bit), 10m (1080p@12-bit), 10m (4K×2K)
<b>Power Supply</b>	5V/1.2A DC ( US/EU standards, CE/FCC/ UL certified)
<b>ESD Protection</b>	Human body model: ±8kV (air-gap discharge) ±6kV (contact discharge)
<b>Dimensions</b>	85mm (W)×87.5mm (D)×34mm(H)
<b>Weight</b>	102g
<b>Chassis Material</b>	Plastic
<b>Color</b>	White
<b>Operating Temperature</b>	0℃~40℃ / 32℉~104℉
<b>Storage Temperature</b>	-20℃ ~ 60℃ / -4℉ ~ 140℉
<b>Relative Humidity</b>	20 ~ 90 % RH (non-condensing)
<b>Power Consumption</b>	2.2 W