

# HDMI to 3G SDI Converter

- ID# 975



**Operation Manual**

## Introduction

The HDMI to SDI converter allows HDMI signals to be display on SDI display. It is perfectly useful for an high bit rates processing at 2.970Gbit/s which ensure fast signal transmission without signal loss. Further, the external audio allow user to play a different audio source instead of the HDMI audio to be display synchronously without delay on the SDI output.

## Features

- Operation at 2.970Gbps, 2.970/1.001Gbps, 1.485Gbps, 1.485/1.001Gbps and 270Mbps
- Integrated audio de-embedding for max 8 channels of 48kHz audio
- Auto video mode detection (3G/SD/HD)
- Conversion from HDMI to SD/HD/3G signal
- Connect with SDI to HDMI converter to extend your signal over long distances
- Supports input signal transmission distances of up to 300M for SD signals, 200M for HD signals and 100M for 3G signals  
**NOTE:** Cable tested with Belden 1694A. Operating distance may vary if used with another type of cable.

## Applications

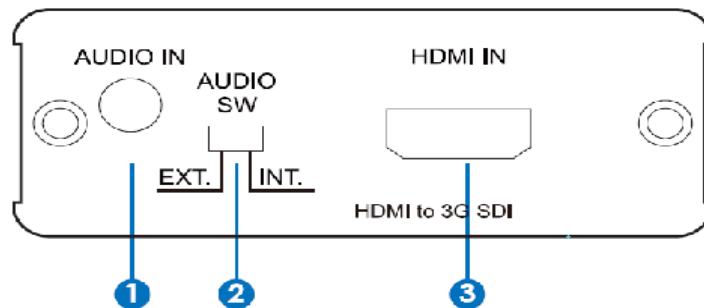
- Smart Home/Luxury House
- Smart Building or any Smart AV Installation System
- HDMI signal convert in to 3G SDI display

## System Requirements

Input HDMI source equipment with HDMI cable and output SDI monitor with SDI cable.



## Operation Controls and Functions Front Panel



### 1. AUDIO IN

This slot is where you connect with audio source equipment such as DVD player with 3.5Ø phone jack for audio signal input.

### 2. AUDIO SW

This switch allows user to choose audio source from EXTERNAL audio input with 3.5Ø phone jack or INTERNAL audio input with HDMI cable.

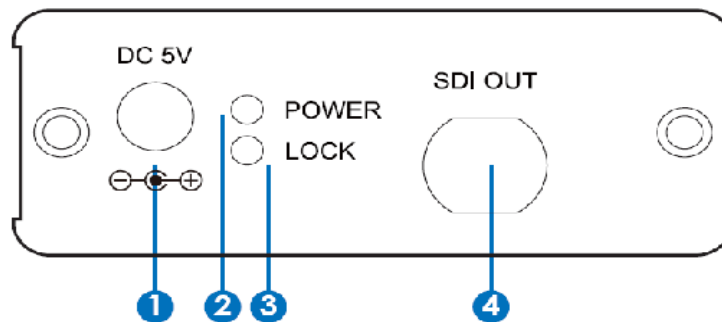
### 3. HDMI IN

This slot is where you connect with input HDMI source such as HD camera or PC with HDMI cable.

#### Note:

When input source signal is with HDCP contents the SDI output will not display any image.

## Back Panel



### 1. DC 5V

Plug the 5V DC power supply into the unit and connect the adaptor to AC wall outlet.

### 2. POWER LED

This blue LED will illuminate when the device is connected with power supply.

### 3. LOCK LED

This yellow LED will illuminate when both input HDMI source and SDI display has send and received the signal.

### 4. SDI OUT

This slot is where you connect the SDI display for output image on the screen.

## Specifications

<b>Operation Data</b>	2.970 Gbps, 2.970/1.001 Gbps, 1.485Gbps, 1.485/1.001Gbps, and 270Mbps
<b>Frequency Bandwidth</b>	225MHz/link (HDMI 1.3)
<b>Input Port</b>	1 X HDMI, 1 X 3.5Ø PHONE JACK
<b>OUTPUT PORT</b>	1 X BNC (SD-SDI/HD-SDI/3G-SDI)
<b>SDI Video Supports</b>	SD-SDI-480I, 576I, HD-SDI-720P@50/60,1080I@50/60, 1080P@23.98/24/25/29.97/30 3G-SDI-1080P@50/60
<b>HDMI Cable Distance</b>	10M
<b>SDI Cable Distance</b>	3G UP TO 100M HD UP TO 200M SD UP TO 300M
<b>ESD Protection</b>	Human body model: ± 8kV (Air-gap discharge) ± 4kV (Contact discharge)
<b>Power Supply</b>	5V/2.6A DC (US/EU standards, CE/FCC/UL certified)
<b>SDI Cable Distance</b>	3G UP TO 100M (BELDEN 1694A CABLE) HD UP TO 200M (BELDEN 1694A CABLE) SD UP TO 300M (BELDEN 1694A CABLE)
<b>Dimensions (mm)</b>	78 mm (W) × 124 mm (D) × 30 mm (H)
<b>Weight(g)</b>	198
<b>Chassis Material</b>	Aluminum
<b>Silkscreen Color</b>	Silver
<b>Power Consumption</b>	5 W
<b>Operating Temperature</b>	0°C ~ 40°C / 32°F ~ 104°F
<b>Storage Temperature</b>	-20°C ~ 60°C / -4°F ~ 140°F
<b>Relative Humidity</b>	20 ~ 90% RH (non-condensing)

# Connection



HD Camera or PC



HDMI Cable



HDMI to 3G SDI Converter



SDI Cable



SDI Monitor