

HDMI/CAT6 to single CAT6 extender - ID# 855



Operation Manual

Introduction

The HDMI /CAT6 to Single CAT6 Extender is an advanced solution for HDMI and CAT6 signal distribution. The CAT6 output port can be easily connected to CAT6 to HDMI receivers to allow a stable connection between an HDMI source and any compatible HDMI display. Alternatively, it can be cascaded to extend the signal to several hundred meters.

Features

- HDCP 1.1 and DVI 1.0 compliant.
- HDMI v1.3 with Deep Color video up to 12-bit, 1080p@24/60 Hz.
- Supports LPCM 7.1CH, Dolby TrueHD, Dolby Digital Plus and DTS-HD Master Audio transmission (32–192 kHz Fs sample rate).
- Supports a wide range of PC and HDTV resolutions from VGA to WUXGA and 480i to 1080p.
- Fully HDCP Compliant.
- EDID 8/12-bit setting switch.

Applications

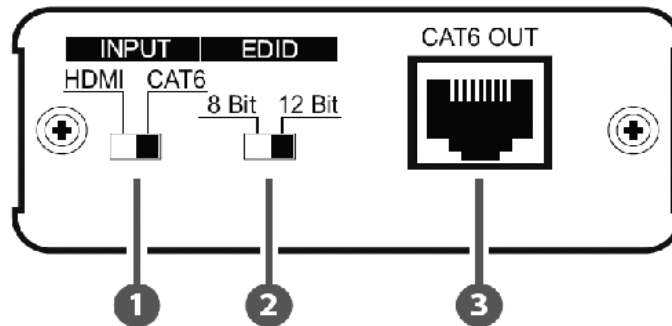
- Smart AV Installation for HDMI signal extension
- Household entertainment media sharing

System Requirements

Input HDMI/DVI source equipment or HDMI to single CAT6 transmitter and output to single CAT6 to HDMI receiver.

Operation Controls and Functions

Front Panel



1. HDMI/CAT6 Input Switch

This switch allows users to select either HDMI or CAT6 as the input source.

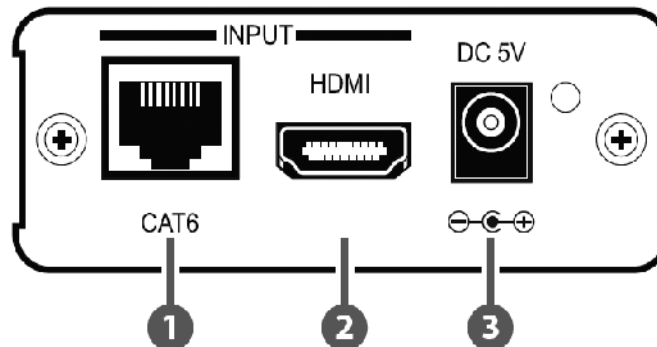
2. EDID 8/12-bit switch

This switch allows users to change the output display's EDID between 8- or 12-bit resolution.

3. CAT6 Out

This port is to connect to a single CAT6 to HDMI receiver device attached to an output display.

Rear Panel



1. CAT6 Input

This port connects a single CAT6 transmitter device attached to a source device by HDMI.

2. HDMI Input

HDMI connector to connect a suitably equipped source device such as DVD/Blu-ray player.

3. DC 5V

This socket is where you plug the 5 V DC PSU into the unit, connect the PSU to an AC outlet.

NOTE

A. Unit tested with CAT6E/23AWG/Solid cable, using cables of another specification may result in a different operating distance.

B. Source equipment used in cable distance testing included: Sony Playstation 3 (120 GB model), 37" Philips 8-bit LCD TV and 40" Samsung 12-bit LCD TV.

C. Figures provided in this manual are for reference only, actual performance may vary according to which source and display are used as well as the type of cable used.

Specifications

Bandwidth Frequency	2.25 Gbps (single link)
Input Ports	1 × HDMI female port , 1 × CAT6 input
Output Ports	1 × CAT6 output
EDID	TV
HDMI Cable In	1080p 8-bit (15 m), 12-bit (15 m)
CAT6 Cable In/Out	1080p 8-bit (7~45 m), 12-bit (7~15 m)
HDMI Resolution	480i~1080p50/60, 1080p24, VGA~WUXGA
ESD Protection	Human body model: ±8 kV (air-gap discharge) ±4 kV (contact discharge)
Power Supply	5 V DC/1 A linear power adaptor (US/EU standards,CE/FCC/UL certified) or 5 V/1.2 A switching power adaptor (with universal plug, CE/FCC/UL certified)
Dimensions	78.5 mm (W) × 102 mm (D) × 30 mm (H)
Weight	182 g
Chassis Material	Metal
Silkscreen Colour	Silver
Power Consumption	4.1 W
Operating Temperature	0 °C~40 °C/32 °F~104 °F
Storage Temperature	-20 °C~60 °C/-4 °F~140 °F
Relative Humidity	20~90 % RH (non-condensing)

Connection

