

HDMI Audio Inserter

- ID# 856



Operation Manual

Introduction

The HDMI Audio Inserter is a device that lets you insert an external audio signal into your HDMI/DVI source. The device allows you to insert stereo and multi-channel surround sound signals to give users the capability to select their favorite audio formats while extending your audio signal, then the HDMI Audio Inserter is the perfect choice.

Applications

- External audio input to HDMI
- DVI video with audio to HDMI signal output
- Alternative audio selection to HDMI output

System Requirements

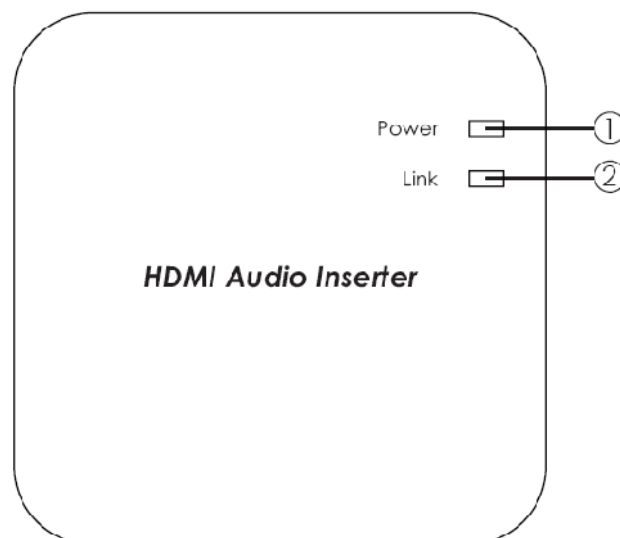
Input source equipment such as PC or DVD player with connection cables and output HD monitor or LCD TV with HDMI cable.

Features

- Compliant with HDMI 1.3, HDCP 1.2 and DVI 1.0
- Supports HDMI Sample Rates up to 192 kHz
- Supports Optical Sample Rate up to 48 kHz
- Supports TMDS clock frequency rate 225MHz
- Supports high-bit-rate (HBR) audio
- HDMI cable distance test with 1080p 8/12bit resolution, the input & output can run up to 10 meters
- Low power consumption

Operation Controls and Functions

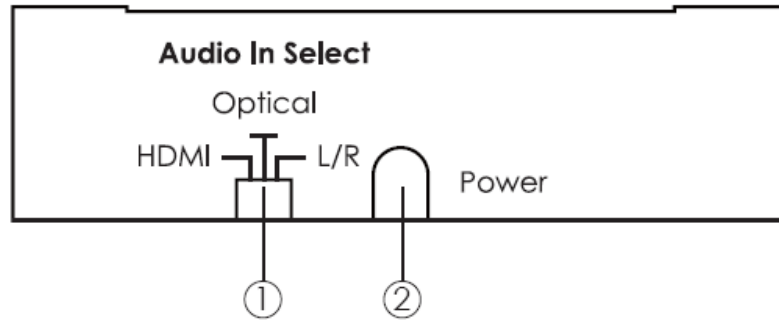
Top Panel



1. Power LED: The red LED will illuminate when the power is connected with AC wall outlet.

2. LINK: The LED will illuminate in blue when both the source and the display are sync together. This LED will also blink once while the power is turned on.

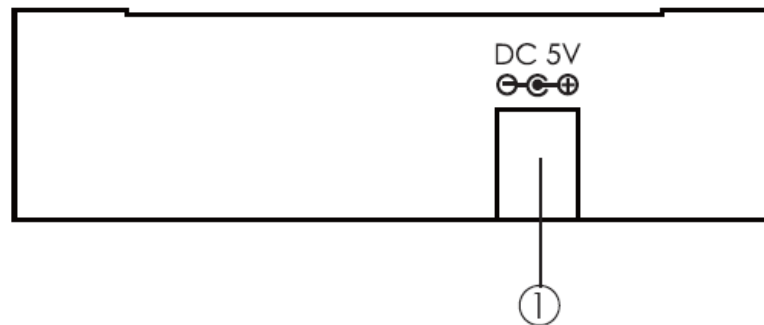
Right Panel



1. Audio In Select: This switch allows user to select the audio input from HDMI, Optical or L/R. By switching the dip switch according to the printing from left to right HDMI, Optical and L/R.

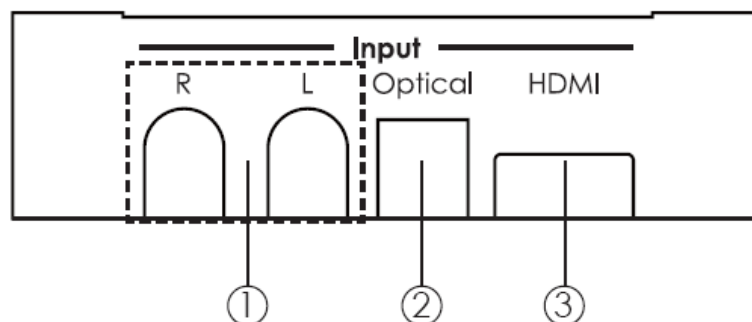
2. Power Button: Press this button switch ON or set the device to standby mode.

Left Panel



1. DC 5V: This slot is where you plug the 5V DC power supply into the unit and connect the adaptor to an AC wall outlet.

Upper Panel

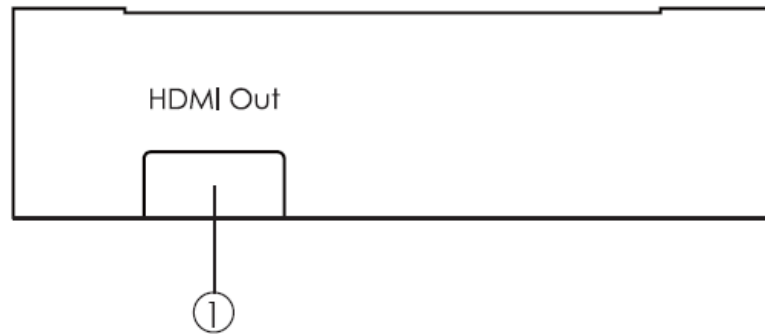


1. Input R/L: These slots are to connect with audio source equipment such as CD player or Hi-Fi equipment with RCA jack for input audio signal.

2. Input Optical: This slot is to connect with audio source equipment such as stereo system or Hi-Fi equipment with optical cable for input audio signal.

3. This slot is to connect with input source equipments such as DVD/Blu-Ray player with HDMI cable for video and audio input signal.

Rear Panel



1. HDMI Out: This slot is to connect with LCD TV or HD monitor for both video and audio display with HDMI cable.

Specifications

Input Port	1 x HDMI, 1 x Optical, 1 x R/L
HDMI Sample Frequency	Up to 192 kHz
Optical Sample Frequency	Up to 48 kHz
Output Port	1 x HDMI
HDMI Cable I/O Distance	10M 1080p/12-bit, 15M 1080p/12-bit
HDMI Audio Format	PCM2/5.1/7.1, Dolby 5.1, DTS 5.1, DD+, D-TrueHD, DTS-HD
Optical Audio Format	PCM2, Dolby Digital, DTS Digital audio 5.1
Power Supply	5V / 1A DC (US/EU standards, CE/FCC/UL certified)
ESD Protection	Human body model: $\pm 8\text{kV}$ (air-gap discharge) $\pm 6\text{kV}$ (contact discharge)
Dimensions(mm)	100 (W) x 70 (D) x 20(H)
Weight(g)	90
Chassis Material	Plastic
Silkscreen Color	White
Operating Temperature	0°C~40°C / 32°F~104°F
Storage Temperature	-20°C~60°C / -4°F~140°F
Power Consumption	1W
Relative Humidity	20 ~ 90% RH (non-condensing)

Connection and Installation

