

# 1x2 HDMI Splitter

- ID# 778



**Operation Manual**

## Introduction

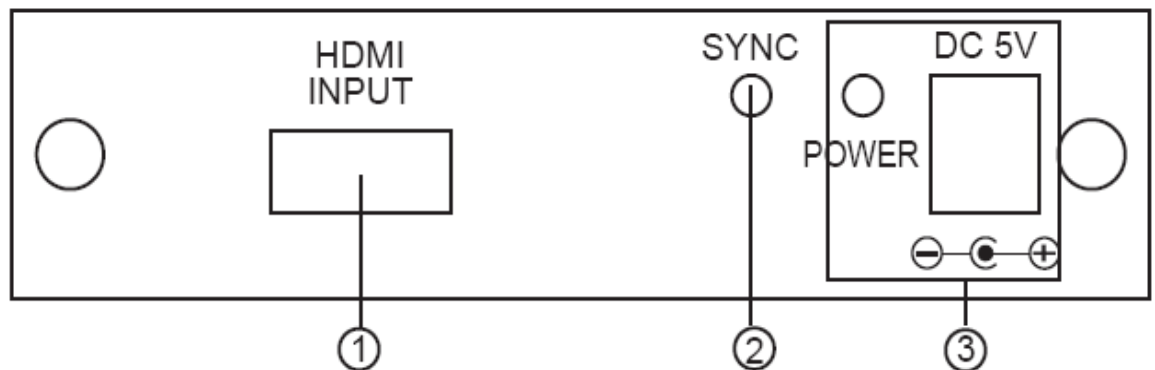
the 1x2 HDMI splitter is a high performance HDMI distribution amplifier. It allows one HDMI source to connect up to 2 HDMI displays simultaneously.

## Features

1. Built-in EDID simulator and HDCP keyset allows each output to work independently when connecting to a HDMI display.
2. Splits a HDMI source up to 2 outputs without signal loss.
3. Supports DVI source and DVI display by using HDMI to/from DVI adaptor cable.
4. Supports a wide range of PC and HDTV resolutions-from VGA to UXGA and 480p to 1080p. Maximum resolution bandwidth-165MHz.
5. Can be cascaded up to 3 layers, or more if using high quality cable.
6. Each of the buffered output can run up to 15 meters@1600x1200.

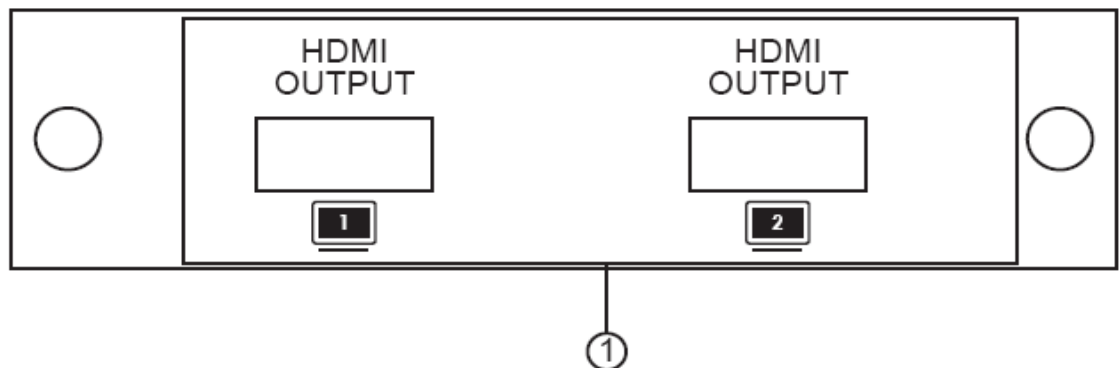
## Operation Controls and Functions

### Front Panel



1. **HDMI input:** Connects to the HDMI or DVI output of your source equipment such as DVD player or Set-Top-Box.
2. **Sync LED:** The LED will illuminate when the HDMI source signal is connected to the input and is detected by the unit.
3. **Power input:** Plug the supplied 5VDC power supply into the unit. The LED will illuminate when connected.

### Rear Panel

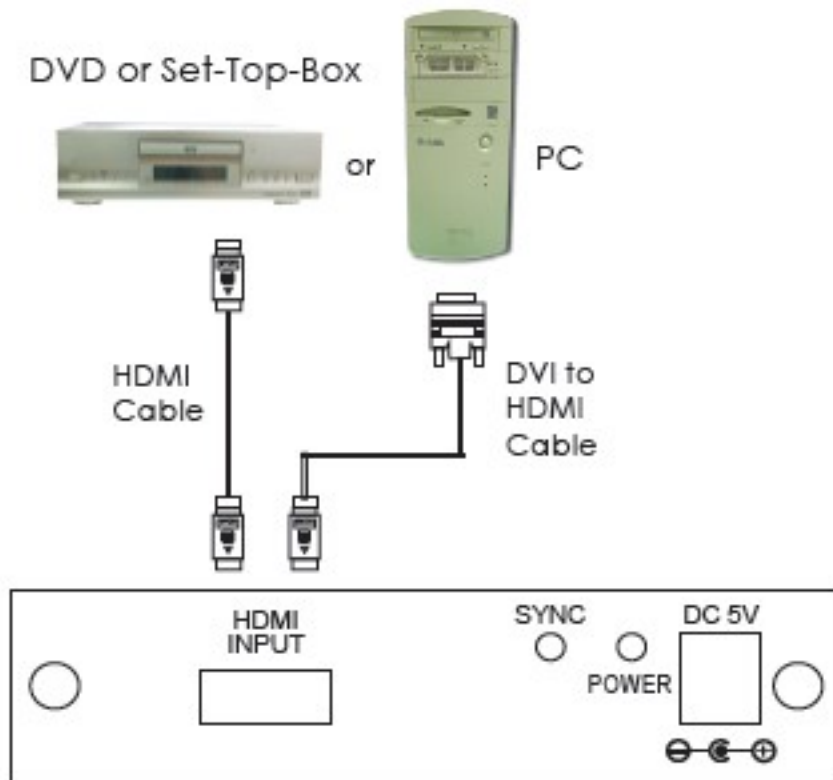


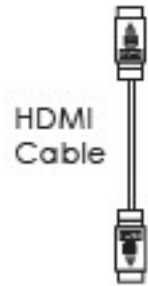
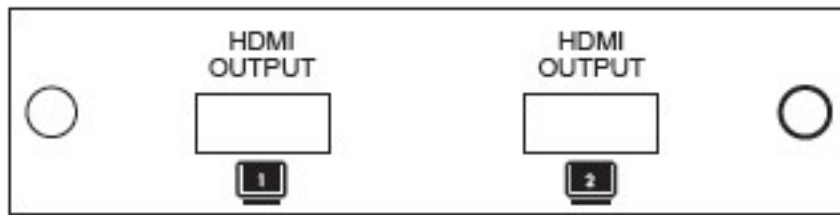
**1. HDMI output 1/2 :** Connects each of these output ports to the HDMI input of a HDMI display.

## Specifications

- **Frequency bandwidth:** 1.65Gbps(single link)
- **Input/Output:** 1-in/2-out HDMI female port
- **Power consumption:** 6W Max
- **5VDC universal power supply**
- **Operating temperature range:** 0 ~ 48 C
- **Operating humidity range:** 30 to 80% RH
- **Dimensions:** 102(W) x92(D) x 25(H)mm
- **Weight:** 220g

## Connection and Installation





HDMI display



PC Monitor