

HD & IR over single CAT5e/6 Transmitter & Receiver - ID# 922-923



Operation Manual

Introduction

The device that can make your home or office more efficient, this unit of HDMI with RS-232 over Single CAT5e/CAT6 can transmit and receive uncompressed audio/video, control through the built-in RS-232 and IR ports over 100M. Hence, if you want to make your home or office more efficient, get the HDMI & IR over Single CAT5e/CAT6 and prepare to be amazed.

Features

- HDMI 1.4 with 3D, 4k x 2k support, HDCP & DVI Compliant
- Supports HDCP repeater and CEC function
- Simultaneously uncompressed data sending over a single 100M/328ft with CAT6 or CAT5e cable
- Uncompressed video 1080p, 60Hz, 36bits
- Audio support up to 7.1CH & Dolby TrueHD, DTS-HD
- 3Play™ convergence: HDMI & Control (IR & RS232)
- Installation Friendly

Note:

This system was tested with CAT6/23AWG cable, so if using cables of another type, results may vary.

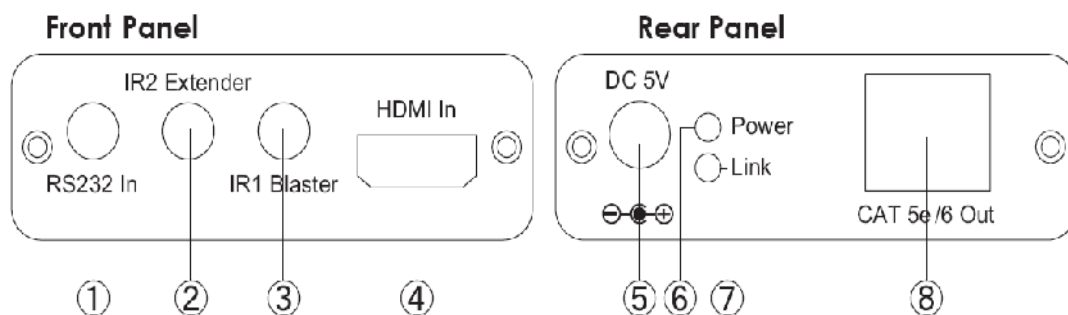
Applications

- Household entertainment sharing and control
- Lecture room display and control
- Showroom display and control
- Meeting room presentation and control
- Classroom display and control

System Requirements

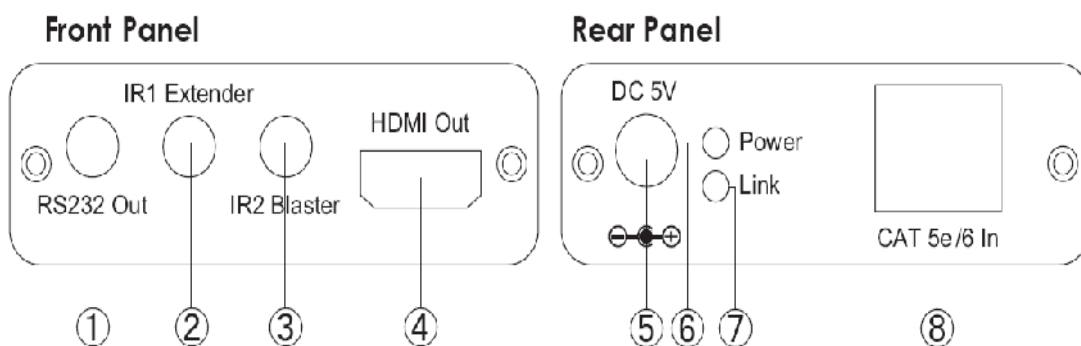
Input HDMI source equipment such as DVD/Blue-Ray player and output display with HDMI input jack.

Operation Controls and Functions Transmitter



- ①. **RS-232 In:** This slot is to connect with 3.5Ø phone jack RS-232 cable from PC/NB equipment for sending RS-232 commands.
- ②. **IR Extender 2:** This slot is to connect with the IR receiver cable included in the package for IR signal receiving.
- ③. **IR Blaster 1:** This slot is to connect with the IR blaster cable included in the package for IR signal transmitting.
- ④. **HDMI In:** This slot is to connect with HDMI source equipment such as DVD/Blu-ray player.
- ⑤. **DC 5V:** This slot is where you plug the 5V DC power supply into the unit and connect the adaptor to an AC outlet.
- ⑥. **Power LED:** This green LED will illuminate when the device is attached with power supply.
- ⑦. **Link LED:** This yellow LED will illuminate when the both CAT5e/6 input and output signal is connected.
- ⑧. **CAT5e/6 Out:** This slot is to be connected with a single CAT5e/6 cable with receiver side for data transmitting.

Receiver



- ①. **RS-232 Out:** This slot is to connect with 3.5Ø phone jack RS-232 cable from device equipment for receiving RS-232 commands.
- ②. **IR Extender 1:** This slot is to connect with the IR receiver cable included in the package for IR signal receiving.
- ③. **IR Blaster 2:** This slot is to connect with the IR blaster cable included in the

package for IR signal transmitting.

④. **HDMI Out:** This slot is to connect with HDMI TV/monitor for display HDMI input source signal.

⑤. **DC 5V:** This slot is where you plug the 5V DC power supply into the unit and connect the adaptor to an AC outlet.

⑥. **Power LED:** This green LED will illuminate when the device is attached with power supply.

⑦. **Link LED:** This yellow LED will illuminate when the both CAT5e/6 input and output signal is connected.

⑧. **CAT5e/6 In:** This slot is to be connected with a single CAT5e/6 cable from transmitter side for data transmitting.

D-Sub 9 Pin Definitions

PIN	Define TX / RX
1	N/C
2	TxD / RxD
3	TxD / RxD
4	N/C
5	GND
6	N/C
7	N/C
8	N/C
9	N/C

Specifications

Transmitter

Input 1 x HDMI, 1 x IR Extender, 1 x RS-232
Output 1 x CAT5e/6, 1 x IR Blaster

Receiver

Input 1 x CAT5e/6, 1 x IR Extender
Output 1 x HDMI, 1 x RS-232, 1 x IR Blaster

ESD Protection Human Body Model:
± 8kV (air-gap discharge)
± 4kV (contact discharge)

IR Frequency 30~50kHz
Dimensions (mm) 71(W) x 79(D) x 23(H)
Weight (g) 240/Tx, 245/Rx
Chassis Material Aluminum
Silkscreen Color Black
Power Consumption TX: 3W ; RX: 6W
Operating Temperature 0°C ~ 40°C/ 32° ~104°
Storage Temperature -20°C ~ 60°C/ -4° ~140°
Relative Humidity 20~90% RH (non-condensing)



Connection

