

# HDBaseT-Lite HDMI over CAT5e/6/7 Transmitter & Receiver - ID# 15110/11



**Operation Manual**

## Introduction

The HDMI with RS-232 over Single CAT5e/CAT6 transmitter and receiver set can send uncompressed audio/video over a single run of CAT5e/6 cable up to 100 m\* and has the added benefit of control through the built-in RS-232 and IR ports.

\*Light version can run up to 60m

## Features

- HDMI including 3D, 4k×2k supports, HDCP and DVI compliant
- Supports HDCP repeater and CEC function
- Simultaneous transmission of uncompressed data over a single CAT6/CAT5e cable up to 100 m/328 ft\*
- Uncompressed video 1080p, 60 Hz, 36-bit
- Audio support up to LPCM 7.1CH, Dolby TrueHD and DTS-HD Master Audio
- 3Play convergence: HDMI & Control (IR & RS-232)
- Installation friendly

*Note: This system was tested with CAT6/23AWG cable. Results may vary with cables of different specifications.*

*\*Light version CAT6/CAT5e cable up to 60m/196.8ft*

## Applications

- Household entertainment sharing and control
- Lecture room display and control
- Showroom display and control
- Meeting room presentation and control
- Classroom display and control

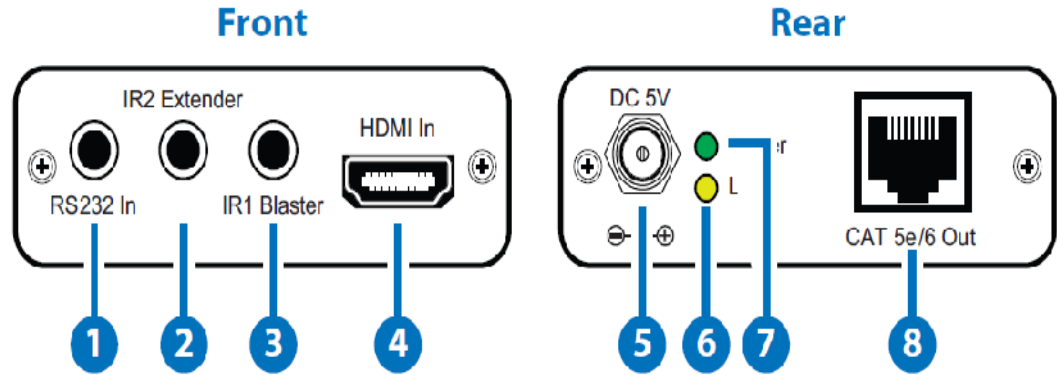
## System Requirements

Input HDMI source equipment such as DVD/Blu-ray players and HDMI equipped output display (TVs or monitors).



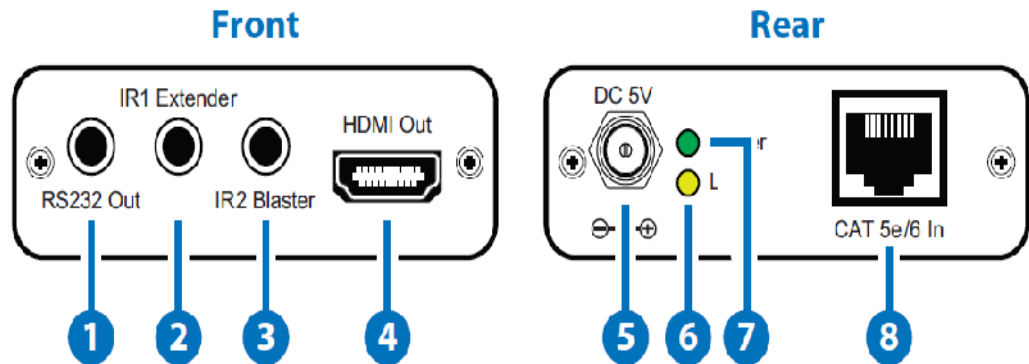
## Operation Controls and Functions

### Transmitter Front and Rear Panel



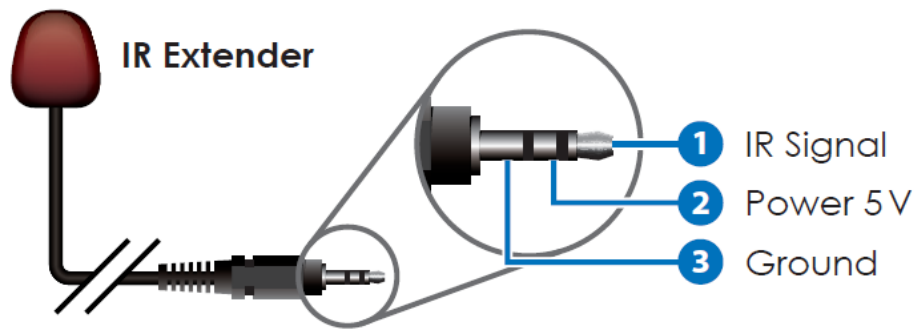
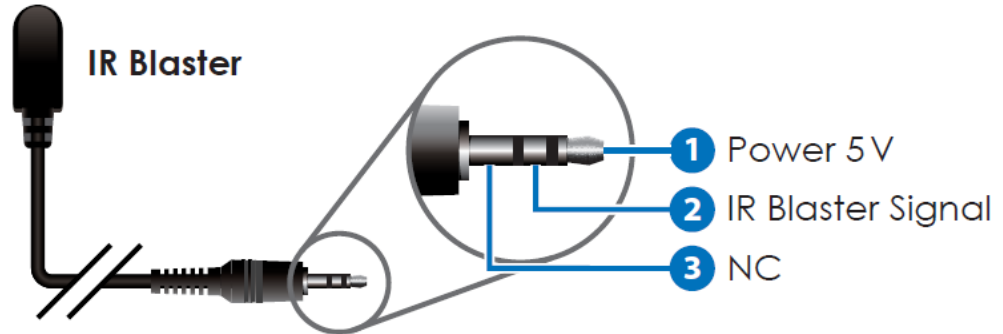
- 1. RS-232 In:** Connect to a PC/laptop or RS-232 enabled device (with supplied 3.5 mm phone jack to D-Sub 9 pin adaptor) for the transmission of RS-232 commands.
- 2. IR2 Extender:** Connect to the supplied IR extender cable for IR signal reception. Ensure that remote controller being used is within the direct line-of-sight of the IR extender.
- 3. IR1 Blaster:** Connect to the supplied IR blaster cable for IR signal transmission. Place the IR blaster in direct line-of-sight of the equipment to be controlled.
- 4. HDMI In:** Connect to HDMI source equipment such as a DVD or Blu-ray player.
- 5. DC 5V:** Plug the 5 V DC power supply into the unit and connect the adaptor to an AC outlet.
- 6. Link:** The yellow LED will illuminate when both the input and output CAT5e/6 signals are connected.
- 7. Power:** This green LED will illuminate when the device is connected to a power supply.
- 8. CAT5e/6 Out:** Connect to the receiver unit with a single CAT5e/6 cable for transmission of all data signals..

## Receiver Front and Rear Panels



- 1. RS-232 Out:** Connect to the device that is to be controlled (with the supplied 3.5mm phone jack to D-Sub 9-pin adaptor) by RS-232 commands.
- 2. IR1 Extender:** Connect to the supplied IR extender cable for IR signal reception. Ensure that remote being used is within the direct line-of-sight of the IR extender.
- 3. IR2 Blaster:** Connect to the supplied IR blaster cable for IR signal transmission. Place the IR blaster in direct line of sight of the equipment to be controlled.
- 4. HDMI Out:** Connect to a HDMI equipped TV/monitor for display of the HDMI input source signal.
- 5. DC 5V:** Plug the 5 V DC power supply into the unit and connect the adaptor to an AC outlet.
- 6. Link:** The yellow LED will illuminate when both the input and output CAT5e/6 signals are connected.
- 7. Power:** This green LED will illuminate when the device is connected to a power supply.
- 8. CAT5e/6 In:** Connect to the transmitter unit with a Single CAT5e/6 cable for transmission of all data signals

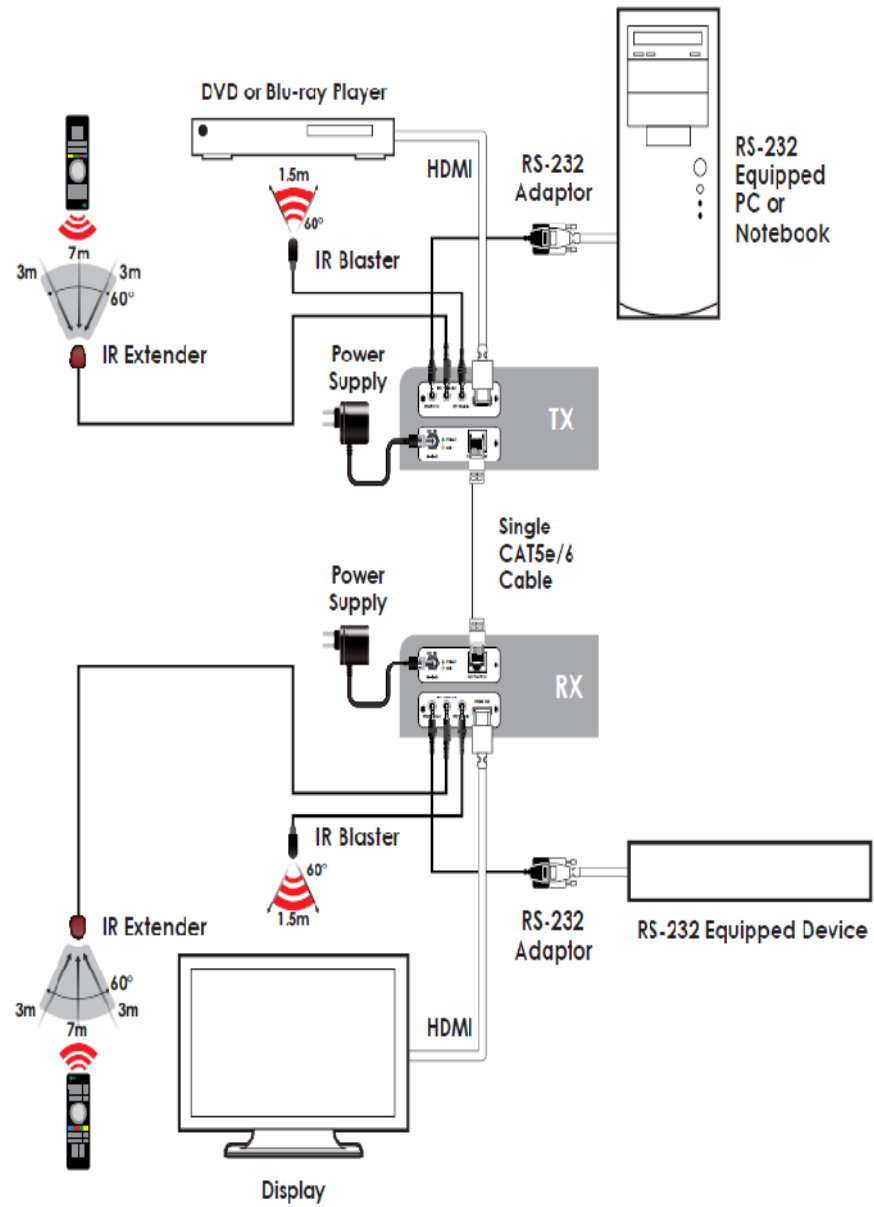
## IR Pin Assignment



### D-Sub 9-Pin Definitions

Pin	Definitions
1	N/C
2	TxD/RxD
3	RxD/TxD
4	N/C
5	GND
6	N/C
7	N/C
8	N/C
9	N/C

# Connection Diagram



## Specifications

<b>Video Bandwidth</b>	225MHz/6.75Gbps
<b>Transmitter Input</b>	1×HDMI, 1×IR Extender, 1×RS-232
<b>Output</b>	1×CAT5e/6, 1×IR Blaster
<b>Receiver Input</b>	1×CAT5e/6, 1×IR Extender
<b>Output</b>	1×HDMI, 1×RS-232, 1×IR Blaster
<b>HDMI I/O Cable Distance</b>	10m/8bits 6m/12bits/input, 15m/12bits/output
<b>ESD Protection</b>	Human-body Model: ±8 kV (air-gap discharge) ±4 kV (contact discharge)
<b>IR Frequency</b>	0~50 kHz
<b>Dimensions</b>	71 mm (W)×79 mm (D)×23 mm (H)
<b>Weight</b>	240 g (TX), 245 g (RX)
<b>Chassis Material</b>	Aluminum
<b>Silkscreen Color</b>	Black
<b>Operating Temperature</b>	0 °C~40 °C/32 °F~104 °F
<b>Storage Temperature</b>	-20 °C ~ 60 °C/-4 °F~140 °F
<b>Relative Humidity</b>	20~90 % RH (non-condensing)
<b>Power Consumption</b>	3 W (TX), 6 W (RX)