

HD-SD Distributor 1 input : 3 output (w/Digital & Analog Audio) ID# 646



Operation Manual

Introduction

HD-SD Distributor 1 input : 3 output (w/Digital & Analog Audio) is a versatile, high performance amplifier for distributing High Definition (HD) and Standard Definition (SD) Video signals. Analog and Digital audio is also supported. This splitter device has the ability to distribute three different Video formats of Composite (CV), Component (YPbPr/YCbCr) or RGB (Sync on Green and Separate Sync) to multiple CRT, LCD or Plasma displays. With application for Professional and Academic presentations or Home Theatre system owners, the HD-SD Distributor 1 input : 3 output (w/Digital & Analog Audio) is ideal for use by Installation Technicians and Private users.

The HD-SD Distributor 1 input : 3 output (w/Digital & Analog Audio) works as a 1 input to 3 output distribution amplifier for HD/SD Component (YPbPr/YCbCr), HD RGB (sync on green) or RGBHV (separate sync) and SD Composite Video sources. Supports upto 1080p / UXGA Input and Output. The Outputs enable connection to CRT, LCD and Plasma displays, with up to nine connections available for SD Composite Video and three for HD Component and RGB.

Digital Co-axial and Analog Left/Right audio distribution is also supported, for individual distribution to each connected output display from each input source. Use Digital co-ax or Analog audio cable for easy connection to your displays speakers or any Hi-Fi System.

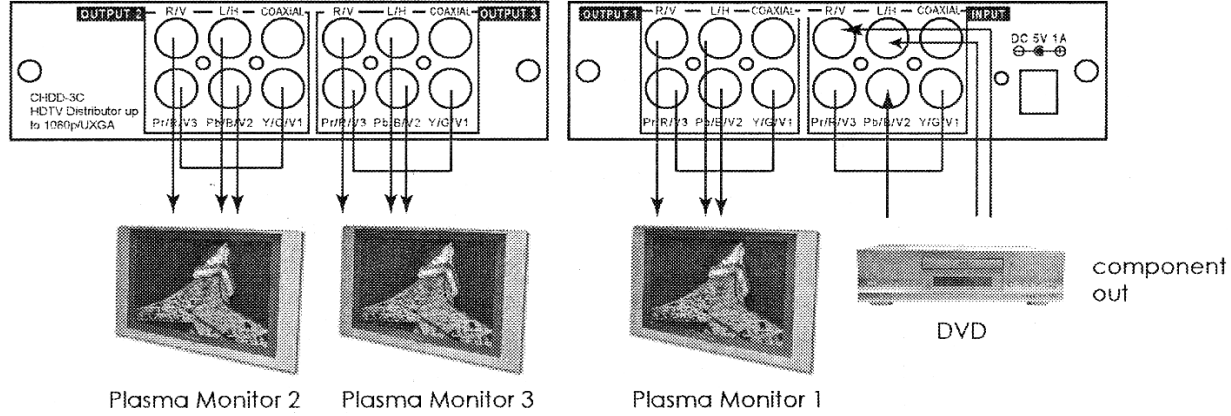
Perfect for use by Professional, Academic and Private Presenters, Installers and Home Entertainment owners, the HD-SD Distributor 1 input : 3 output (w/Digital & Analog Audio) adds versatility with Video display and Audio reproduction for distribution growth potential in any application.

Features

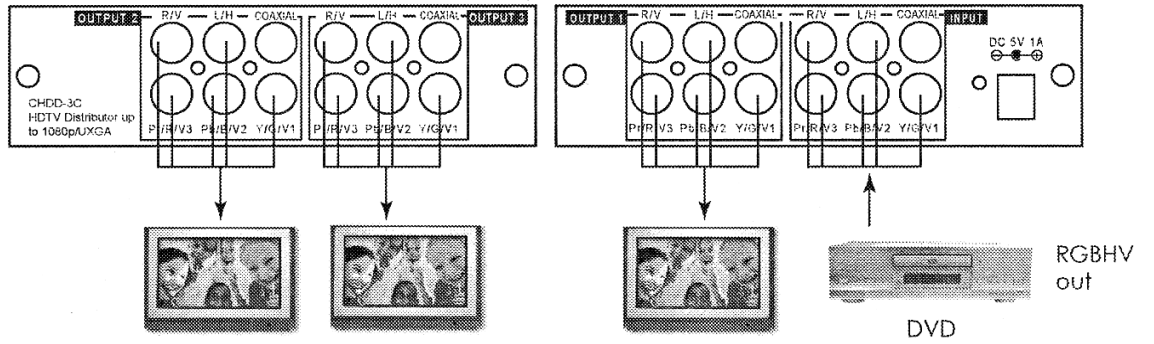
1. Component/Composite or RGB distribution amplifier.
2. Supports SD (composite YcbCr) and HDTV (YpbPr, RGB)input signal
3. Accepts one component input and splits the input to 3 identical and buffered outputs via 3x3 RCA connectors.
4. When input is composite video, it can connect up to 3 different video sources and output 3 identical and buffered signal for each video input.
5. It can be used in presentation and home theater application.
6. High Bandwidth performance – 480MHZ bandwidth at - 3db
7. World wide power supply

Connection and Installation

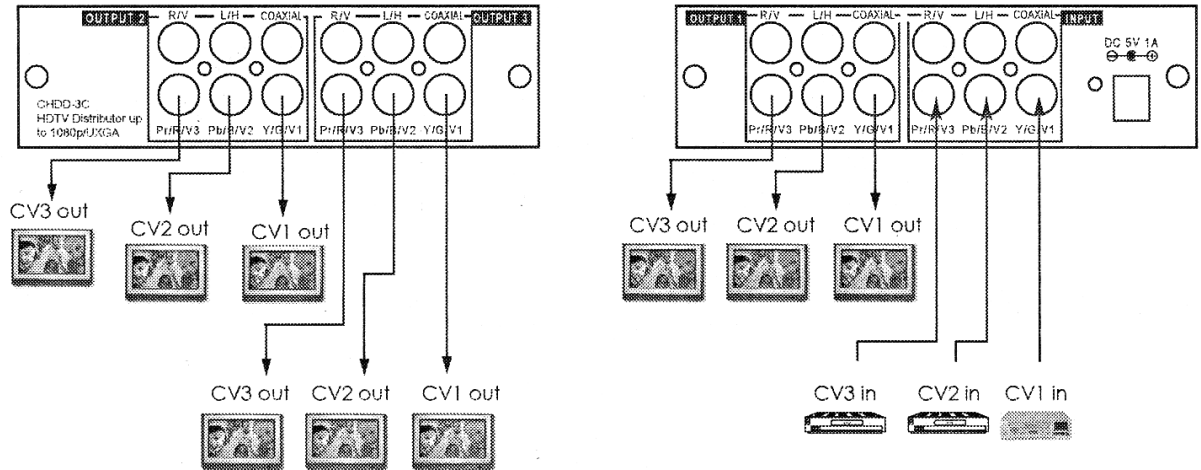
1. Works as a 1 – in – 3 out distribution amplifier for HD Component Source (YPbPr)



2. Works as a 1 – in – 3 out distribution amplifier for HD RGBHV Video Source



3. Works as a 1 – in – 3 out distribution amplifier for Composite Video Source



Specifications

Input:	YPbPr x 1 or RGsB x 1 (or RGBHV), or composite x 3 1 Vp-p@75 Ohm
Output:	YPbPr x 3, or RGsB (or RGBHV) x 3, or composite 3 x 3
Audio Input:	Coaxial (S-PDIF) x 1 + R/L x 1
Audio Output:	Coaxial (S-PDIF) x 3 + R/L x 3
Analog Audio Input/Output:	Audio 2 Vrms max 47k Ohm.
Horizontal/Vertical sync	5Vp-p max and H frequency 10Hz~100Hz, V frequency 20Hz~200Hz
Bandwidth:	480MHz (-3dB)
Differential Gain:	0.05%
Differential Phase:	0.05 degree
Power Supply:	5V 2A~1A
Dimensions (mm):	141(W) x 38(D) x 105(H)
Weight(g):	550gs