

DVI Splitter with HDCP Compliance ID#470



Operation Manual

Introduction

The DVI Splitter with HDCP Compliance accepts DVI signal from a computer or video equipment and splits up to two, identical and buffered outputs. Each of the output can run up to 15 meters using standard DVI cable.

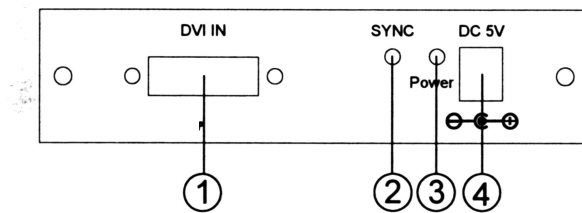
- It also supports a wide range of input resolution (25-165 MHz) from VGA to UXGA.
- Can be cascaded up to 3 tiers.

Features:

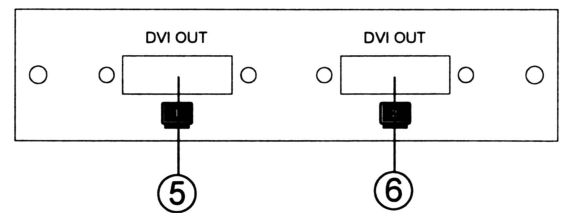
1. HDCP compliant.
2. Universal EDID built-in
3. Supports DVI-D (29-pin) standard connectors.
4. DVI DDC (Display Data Channel) link between each output and display is independent.
5. LED indicators.
6. Supports high resolution input:
PC: VGA, SVGA, XGA, SXGA and UXGA, &
HDTV: 480p, 576p, 720p, 1080i and 1080p@ 60Hz

Connection

Front Panel



Rear Panel

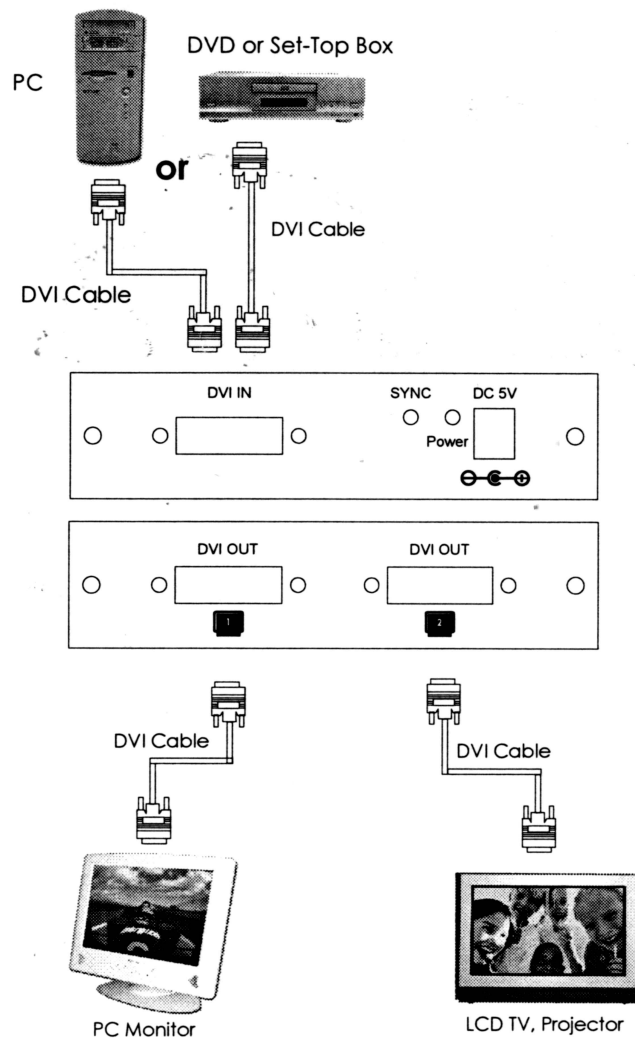


- 1 . DVI input port-** Connects to the DVI output of your source equipment.
- 2.Sync LED:** Sync led will light up when source signal is connected.
- 3.LED :**Power LED will light up when power plug on.
- 4.Power Jack.**
- 5.DVI output port 1:** Connects to the DVI input of your display 1.
- 6.DVI output port 2:** Connects to the DVI input of your display 2.

Specifications

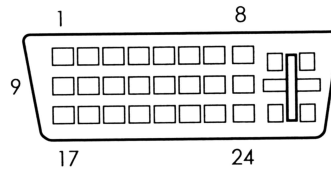
Input connector:	1 input (DVI Female)
Output connector:	2 outputs (DVI Female)
Frequency bandwidth:	1.65Gbps (Single link)
Power consumption:	6W Max
Operating temperature range:	5 degree to 40 degree C
Operating humidity range:	30 to 80% RH
Power supply:	5VDC power supply with universal plugs
Dimensions(mm):	102(W) x125(D) x30(H)
Weight:	280g

Installation



DVI-D Pin Configuration

DVI-Digital (DVI-D): Supports display-only connections between the host computer and display. This interface is designed for a 12 or 24-pin connection to enable single or dual-link mode activation.



DVI-D Receptacle Connector

Digital-Only Connector Pin Assignments					
Pin	Signal Assignment	Pin	Signal Assignment	Pin	Signal Assignment
1	T.M.D.S. Data2-	9	T.M.D.S. Data1-	17	T.M.D.S. Data0-
2	T.M.D.S. Data2+	10	T.M.D.S. Data1+	18	T.M.D.S. Data0+
3	T.M.D.S. Data2/4 Shield	11	T.M.D.S. Data1/3 Shield	19	T.M.D.S. Data0/5 Shield
4	T.M.D.S. Data4-	12	T.M.D.S. Data3-	20	T.M.D.S. Data5-
5	T.M.D.S. Data4+	13	T.M.D.S. Data3+	21	T.M.D.S. Data5+
6	DDC Clock	14	+5V Power	22	T.M.D.S. Clock Shield
7	DDC Data	15	Ground (for +5)	23	T.M.D.S. Clock+
8	No Connect	16	Hot Plug Detect	24	T.M.D.S. Clock-