

DVI-D Dual-link 1x2 Splitter

15326



Operation Manual

Introduction

The DVI-D Dual-link 1x2 Splitter allows a DVI-D signal to be split into two DVI-D Dual-link outputs. It accepts both Single-link and Dual-link DVI signals, with support for DVI PC resolutions up to WQXGA for Dual-link DVI-D and up to WUXGA@RB for Single-link DVI-D. The DVI-D Dual-link 1x2 Splitter allows users to connect one DVI-D source for dual-screen viewing.

Applications

- Commercial advertising, displaying
- Lecture room display
- Showroom display

Features

- Supports video resolutions up to WQXGA with Dual-Link DVI or WUXGA with Single-Link DVI
- Built-in adaptive equalizer provides long cable support
- Support EDID function
- Individual control of hot plug detect

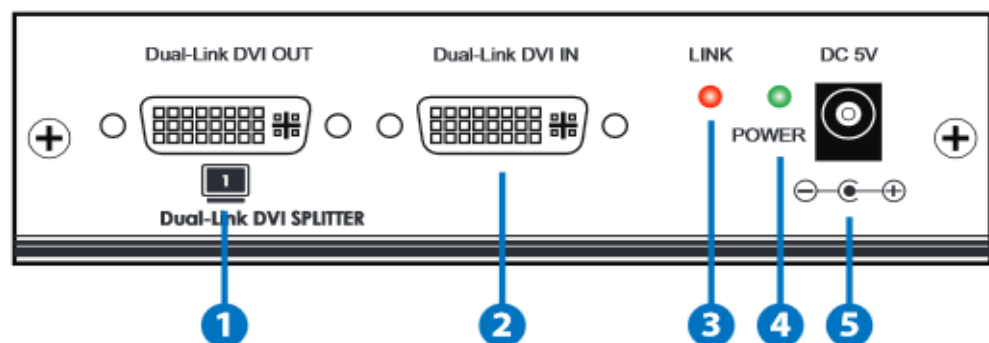
System

Requirement

Input source equipments such as PC and output DVI display with DVI cables.

Operation Controls and Functions

Front Panel



1. Dual-Link DVI OUT1

This slot is to connect with DVI output display with DVI cable for synchronize outputs up to 2/4.

2. Dual-Link DVI IN

This slot is to connect with the input source such as PC/Graphic (1:4 model only)

card with Dual-Link DVI cable.

3. LINK LED

This LED will illuminate when the input source has send out signal and the output display is in power on status.

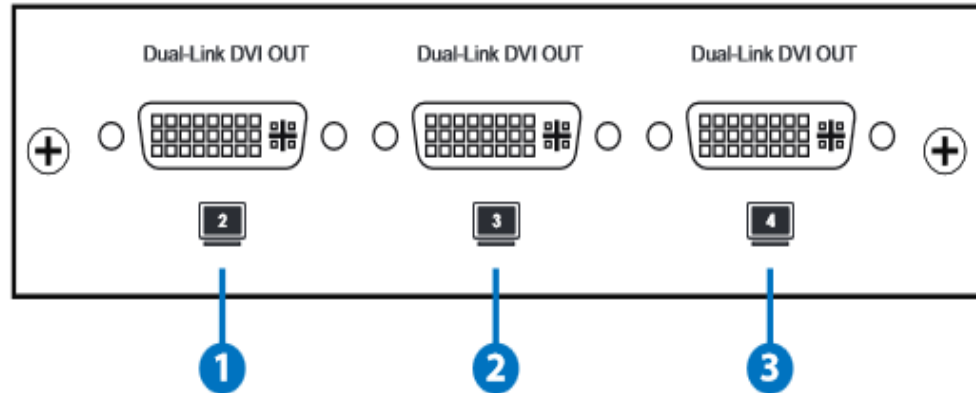
4. POWER LED

This LED will illuminate when the device is connected to power adaptor with AC supply.

5. DC 5V

Plug the 5V DC power supply included in the package into the unit and connect it to AC wall outlet.

Rear Panel



1. Dual-Link DVI OUT2~4

This slot is to connect with DVI output display with DVI cable for synchronize output with OUT 1.

Note:

The device will detect OUT 1 as the primary EDID information when both outputs are connected with active monitor. However, when only 1 output is detected then the device will treat that as the primary EDID information. (Output ports vary depending on model)

Specifications

Video Bandwidth	2 x 165MHz
Input Port	1 x Dual-Link DVI
Output Ports	2 x Dual-Link DVI
I/O Support Resolution	VGA ~ WQXGA@60 / Dual-Link VGA~ WUXGA@60RB / Single-Link
ESD Protection	Human body model: ± 8kV(Air-gap discharge) ± 4kV(Contact discharge)
Power Supply	5V/2.6A for 2DDS or 5V/4A for 4DDS DC (US/EU standards, CE/FCC/UL certified)
Dimensions	125 mm (W) × 102.5 mm (D) × 30 mm (H)/2DDS 141 mm (W) × 163 mm (D) × 38 mm (H)/4DDS
Weight	288g/2DDS, 670g/4DDS
Chassis Material	Metal
Silkscreen Colour	Black
Operating Temperature	0°C~40°C / 32°F~104°F
Storage Temperature	-20°C~60°C / -4°F~140°F
Relative Humidity	20 ~ 90% RH (non-condensing)
Power Consumption	6.8 W/2DDS, 17W/4DDS

Connection Diagram

