

Component to RGB Converter ID# 430



Operation Manual

Introduction

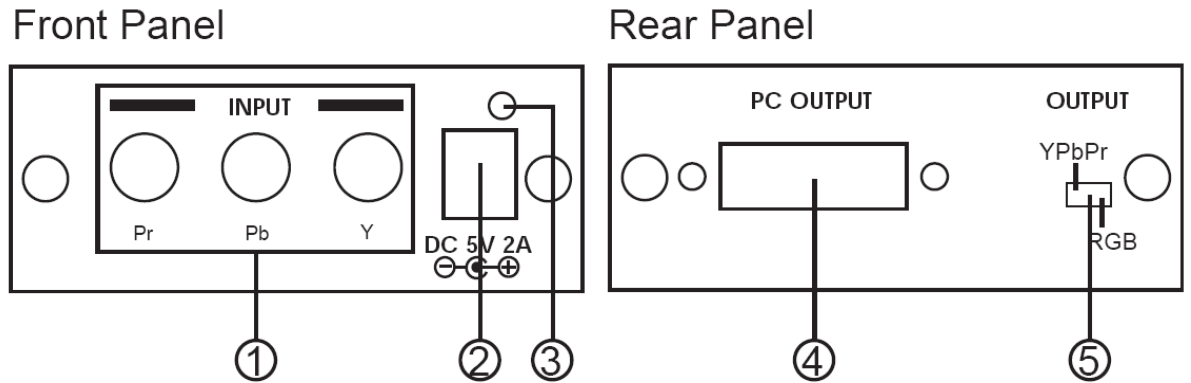
The Component to RGB Converter is a plug-n-play component (YPbPr/YCbCr) to RGBHV color space converter. It allows you to view HDTV programs from your DVD players, video games, or HDTV Set Top Boxes on your PC monitors or projectors via PC VGA input.

Features

1. Simple to operate, plug and play.
2. Supports all component interlaced and progressive formats.
3. Output is RGBHV on HD-15 connector.

Operating Functions and Controls

Front Panel



1. **YPbPr/YCbCr input:** Connect to any source with YPbPr/YCbCr output.
2. **Power connector:** plug the 5VDC power supply into Component to RGB Converter and correct AC wall outlet.
3. **Power indicator LED.**
4. **PC output connector:** Connect to any monitor with PC input.
5. **Output:** Output format selection between component and RGB.

Input - Output Cross reference

Input YPbPr \ Output RGB	31K PC			15K RGsB/YCbCr	
	VGA	SVGA	XGA	fv=60Hz	fv=50Hz
480P	●	—			
576p		▲			
720P		—	▲		
480i				●	
576i					●
1080i (540p)		▲			

- : No, similar, or matching resolution in RGB domain.
- ▲ : Since the timing of RGB output does not exactly match a standard PC SVGA some PC monitors may not be able to show pictures.
- : Output is acceptable by all monitors.

Specifications

- * The output signal timing is exactly the same as input signal timing, no pixel re-scaling occurred.
- * **Input:** YPbPr/YCbCr on 3 RCA connectors.
- * **Output:** RGBHV on HD-15 connector.
- * **Input resolutions:** 480i, 576i, 480p, 576p@50Hz, 720p@50/60Hz, 1080i@50/60Hz
- * **Output:** PC RGB for HD progressive input, or 15K video RGB for SD interlaced input.
- * Most PC monitors accept multi-sync input therefore can lock onto the signal timing of the Component to RGB Converter's RGB output and show pictures.
- * **Dimensions:** 76.6(W) x 103(D) x 30(H)mm
- * **Power:** 5V 1A /Center +

Connection and Installation

