

3G SDI to HDMI Converter

- ID# 857



Operation Manual

Introduction

The SDI to HDMI converter allows SD-SDI, HD-SDI and 3G-SDI signals to be shown on HDMI/SDI displays while ensuring high bit rates of 2.970 Gbit/s to give you fast signal transmission without any loss. For professionals this means that it is now easier to distribute and extend your 3G SDI signal while giving you the ability to display your work on HDMI displays thanks to the built in HDMI converter. Furthermore, thanks to the loop-through 3G-SDI design, users are able to enjoy both SDI and HDMI displays at the same time.

Features

- Operation at 2.970Gbit/s, 2.970/1.001Gbit/s, 1.485Gbit/s, 1.485/1.001Gbit/s and 270Mbits/s
- Supports SMPTE 425M (Level A and Level B), SMPTE 424M, SMPTE 292M, SMPTE 259M-C
- Equalized and re-clocked loop output
- Integrated audio de-embedder for a maximum of 8 channel, 48 kHz audio
- Auto video mode detection (3G/SD/HD)
- Conversion from SMPTE 425M level B to Level A 1080p 50/59.94/60 4:2:2 10-bit
- Connect with other units to extend your signal over long distances
- Simultaneous display with SDI and HDMI signals
- Supports signal transmission distances of up to 300M for SDI signals, 200M for HD signals and 100M for 3G signals

Note: Cable tested with Belden 1694A. Operating distances may vary if used with another type of cable.

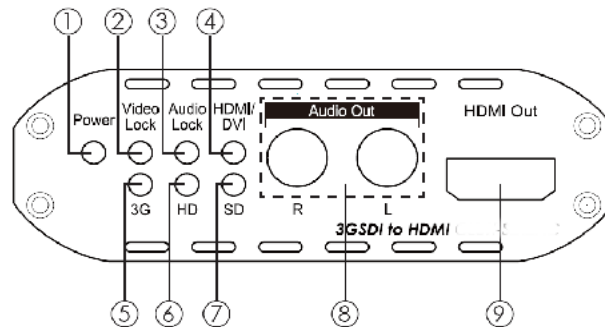
Applications

- Connect to multiple displays by linking one 3G SDI Extender to another through its SDI output port. When connected to another 3G SDI Extender, you can broadcast a signal to two HDMI displays and one SDI display, or connect to another Extender to provide more connections and a longer operating distance.
- Convert 3G SDI to HDMI

System Requirements

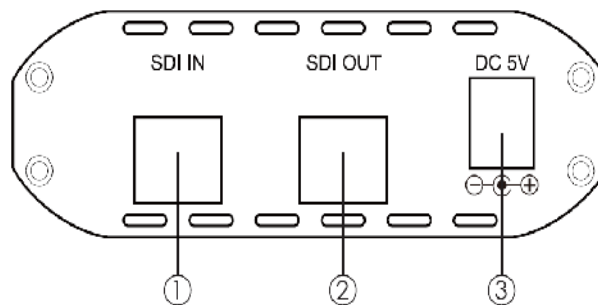
Input broadcast video with an SDI cable and output to SDI and/or HDMI displays with included connection cables.

Operation Controls and Functions Front Panel



- 1 Power LED:** This red LED will switch on when the device is connected with the power supply.
- 2. Video Lock LED:** This green LED will turn on when both the input SDI source and the output HDMI display have sent and received a signal.
- 3. Audio Lock LED:** This green LED will switch on when the input SDI source has an audio signal and when the output HDMI/DVI display activates.
- 4. HDMI/DVI LED:** This green LED will turn on when connected to an HDMI display and will not switch on when connected to a DVI display. The device will read the output display's EDID to determine whether to send an HDMI or DVI signal.
- 5. 3G LED:** This yellow LED will turn on when the input SDI signal is 3G.
- 6. HD LED:** This yellow LED will switch on when the input SDI signal is HD.
- 7. SD LED:** This yellow LED will turn on when the input SDI signal is SD.
- 8. Audio out R/L:** These slots are where you connect an amplifier with a RCA jack to, in order to transmit an audio signal.
- 9. HDMI Out:** This slot is where you connect a HDMI / DVI display with a HDMI or HDMI to DVI cable to.

Rear Panel



- 1. SDI IN:** This slot is where you connect the SDI source to, in order to send a SDI signal to a display.
- 2. SDI OUT:** This slot is where you connect the SDI display to, with an SDI cable for displaying images. Connect it to another SDI to HDMI converter/ extender to extend your signal or connect to multiple displays.

3. DC 5V: Plug the 5V DC power supply into the unit and connect the adaptor to an AC outlet. The red LED will turn on when the power is on.

Specifications

SMPTE Standard	425M Level A & B, 424M, 292M, 259M-C
SDI Transmission Rates	2.970 Gbit/s and 2.970/1.001 Gbit/s
Frequency Bandwidth	225MHz/link (HDMI 1.3)
Input Port	1 x BNC (SDI/HD-SDI/3G-SDI)
Output Port	1 x BNC (SDI/HD-SDI/3G-SDI), 1 x HDMI, 2 x RCA Jack
Video Supports	480i, 576i, HD-SDI-720p, 1080i, 3G-SDI-1080p
Power Supply	5V DC/ 2.6A (US/EU standards, CE/FCC/UL certified)
ESD Protection	Human body model: ±8kV (air-gap discharge) ±4kV (contact discharge)
SDI Cable Distance	3G up to 100M (BELDEN 1694A) HD up to 200M (BELDEN 1694A) SD up to 300M (BELDEN 1694A)
Dimension (mm)	137(W) x 90(D) x 25(H)
Weight (g)	225
Chassis Material	Aluminum
Silkscreen Color	Black
Operating Temperature	0°C ~ 40°C / 32°F ~ 104°F
Storage Temperature	-20°C~60°C / -4°F ~ 104°F
Relative Humidity	20 ~ 90% RH (Non-condensing)
Power Consumption (W)	4

Connection

