

# DVI Distributor (2 way) ID #392



**Operation Manual**

## Introduction

The DVI Distributor (2 way) is 1 -input -2 -output digital DVI distribution amplifier based on panel link technology.

It accepts a DVI signal from a computer and splits up to two identical and buffered outputs. Each of the outputs can run up to 15 meters using a standard DVI cable.

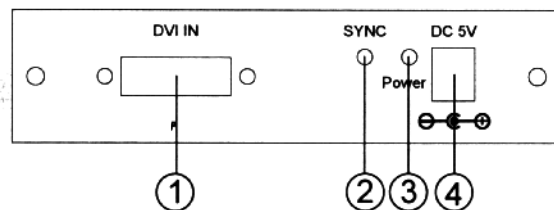
It also supports a wide range of input resolutions (25~165Hz) from VGA to UXGA.

## Features

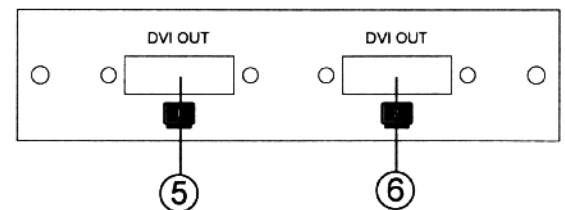
- Supports DVI-D (29 pin) standard connectors.
- One DVI-D DDC (Display Data Channel) output.
- Auto signal detection for both input / output.
- Compliant with DVI 1.0.

## Connection

### Front Panel



### Rear Panel

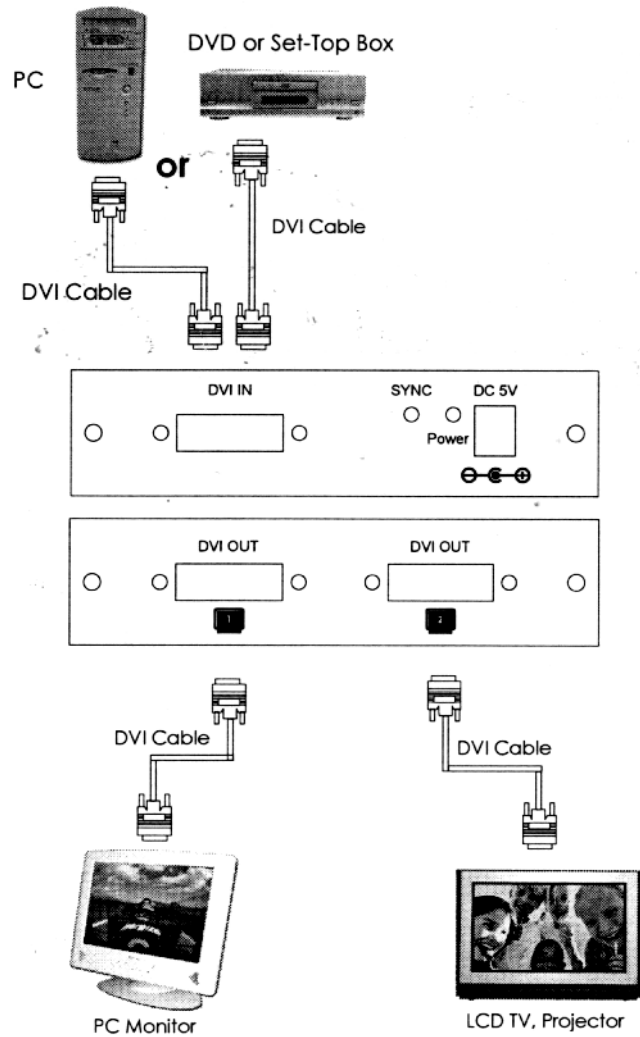


- 1 . DVI input port- Connects to the DVI output of your source equipment.
- 2.Sync LED: Sync led will light up when source signal is connected.
- 3.LED :Power LED will light up when power plug on.
- 4.Power Jack.
- 5.DVI output port 1: Connects to the DVI input of your display 1.
- 6.DVI output port 2: Connects to the DVI input of your display 2.

## Specifications

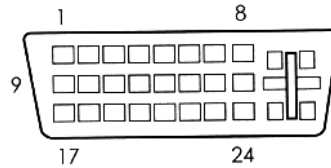
<b>Input/Output:</b>	1 input / 2 output
<b>Bandwidth:</b>	26~165MHz
<b>Voltage:</b>	AC 100 to 240 DC 5V 2A out
<b>Power Consumption:</b>	6W Max
<b>Operating Temperature Range:</b>	5 to 40 degrees
<b>Operating Humidity Range:</b>	30 to 80% RH
<b>Dimensions(mm):</b>	142(W)x130(D)x38(H)
<b>Weight:</b>	approx. 1.5kg

## Installation



## DVI-D Pin Configuration

DVI-Digital (DVI-D): Supports display-only connections between the host computer and display. This interface is designed for a 12 or 24-pin connection to enable single or dual-link mode activation.



**DVI-D Receptacle Connector**

Digital-Only Connector Pin Assignments					
Pin	Signal Assignment	Pin	Signal Assignment	Pin	Signal Assignment
1	T.M.D.S. Data2-	9	T.M.D.S. Data1-	17	T.M.D.S. Data0-
2	T.M.D.S. Data2+	10	T.M.D.S. Data1+	18	T.M.D.S. Data0+
3	T.M.D.S. Data2/4 Shield	11	T.M.D.S. Data1/3 Shield	19	T.M.D.S. Data0/5 Shield
4	T.M.D.S. Data4-	12	T.M.D.S. Data3-	20	T.M.D.S. Data5-
5	T.M.D.S. Data4+	13	T.M.D.S. Data3+	21	T.M.D.S. Data5+
6	DDC Clock	14	+5V Power	22	T.M.D.S. Clock Shield
7	DDC Data	15	Ground (for +5)	23	T.M.D.S. Clock+
8	No Connect	16	Hot Plug Detect	24	T.M.D.S. Clock-